

GigaDevice Semiconductor Inc.

GD32E230xx

ARM[®] Cortex[®]-M23 32-bit MCU

Datasheet

Revision 2.8

(Nov. 2024)

Table of Contents

| | |
|---------------------------------------------------------|-----------|
| Table of Contents | 1 |
| List of Figures | 4 |
| List of Tables | 5 |
| 1 General description | 7 |
| 2 Device overview | 8 |
| 2.1 Device information | 8 |
| 2.2 Block diagram | 11 |
| 2.3 Pinouts and pin assignment | 12 |
| 2.4 Memory map | 16 |
| 2.5 Clock tree | 18 |
| 2.6 Pin definitions | 19 |
| 2.6.1 GD32E230Cx LQFP48 pin definitions | 19 |
| 2.6.2 GD32E230Cx QFN48 pin definitions | 22 |
| 2.6.3 GD32E230Kx LQFP32 pin definitions | 25 |
| 2.6.4 GD32E230Kx QFN32 pin definitions | 27 |
| 2.6.5 GD32E230Gx QFN28 pin definitions | 30 |
| 2.6.6 GD32E230Ex TSSOP24 pin definitions..... | 32 |
| 2.6.7 GD32E230Fx TSSOP20 pin definitions..... | 34 |
| 2.6.8 GD32E230Fx LGA20 pin definitions..... | 36 |
| 2.6.9 GD32E230xx pin alternate functions | 38 |
| 3 Functional description | 41 |
| 3.1 ARM® Cortex®-M23 core | 41 |
| 3.2 Embedded memory | 41 |
| 3.3 Clock, reset and supply management | 41 |
| 3.4 Boot modes | 42 |
| 3.5 Power saving modes | 42 |
| 3.6 Analog to digital converter (ADC) | 43 |
| 3.7 DMA | 44 |
| 3.8 General-purpose inputs/outputs (GPIOs) | 44 |
| 3.9 Timers and PWM generation | 44 |
| 3.10 Real time clock (RTC) | 45 |
| 3.11 Inter-integrated circuit (I2C) | 46 |

| | | |
|----------|-----------------------------------------------------------------------|-----------|
| 3.12 | Serial peripheral interface (SPI) | 46 |
| 3.13 | Universal synchronous asynchronous receiver transmitter (USART) | 47 |
| 3.14 | Inter-IC sound (I2S) | 47 |
| 3.15 | Comparators (CMP)..... | 47 |
| 3.16 | Debug mode | 47 |
| 3.17 | Package and operation temperature..... | 48 |
| 4 | Electrical characteristics..... | 49 |
| 4.1 | Absolute maximum ratings..... | 49 |
| 4.2 | Operating conditions characteristics..... | 50 |
| 4.3 | Power consumption | 51 |
| 4.4 | EMC characteristics | 56 |
| 4.5 | Power supply supervisor characteristics | 58 |
| 4.6 | Electrical sensitivity | 58 |
| 4.7 | External clock characteristics | 59 |
| 4.8 | Internal clock characteristics | 61 |
| 4.9 | PLL characteristics..... | 63 |
| 4.10 | Memory characteristics | 63 |
| 4.11 | NRST pin characteristics | 63 |
| 4.12 | GPIO characteristics | 64 |
| 4.13 | ADC characteristics | 65 |
| 4.14 | Temperature sensor characteristics..... | 67 |
| 4.15 | Comparators characteristics..... | 67 |
| 4.16 | TIMER characteristics..... | 68 |
| 4.17 | I2C characteristics | 70 |
| 4.18 | SPI characteristics | 71 |
| 4.19 | I2S characteristics..... | 73 |
| 4.20 | USART characteristics..... | 75 |
| 4.21 | WDGT characteristics | 75 |
| 4.22 | Parameter conditions..... | 75 |
| 5 | Package information..... | 76 |
| 5.1 | LQFP48 package outline dimensions..... | 76 |
| 5.2 | QFN48 package outline dimensions | 78 |



| | | |
|-----|------------------------------------------|----|
| 5.3 | LQFP32 package outline dimensions..... | 80 |
| 5.4 | QFN32 package outline dimensions | 82 |
| 5.5 | QFN28 package outline dimensions | 84 |
| 5.6 | TSSOP24 package outline dimensions | 86 |
| 5.7 | TSSOP20 package outline dimensions | 88 |
| 5.8 | LGA20 package outline dimensions | 90 |
| 5.9 | Thermal characteristics | 92 |
| 6 | Ordering information | 94 |
| 7 | Revision history | 96 |

List of Figures

| | |
|------------------------------------------------------------------------------------|----|
| Figure 2-1. GD32E230xx block diagram | 11 |
| Figure 2-2. GD32E230Cx LQFP48 pinouts | 12 |
| Figure 2-3. GD32E230Cx QFN48 pinouts | 12 |
| Figure 2-4. GD32E230Kx LQFP32 pinouts | 13 |
| Figure 2-5. GD32E230Kx QFN32 pinouts | 13 |
| Figure 2-6. GD32E230Gx QFN28 pinouts | 14 |
| Figure 2-7. GD32E230Ex TSSOP24 pinouts | 14 |
| Figure 2-8. GD32E230Fx TSSOP20 pinouts | 14 |
| Figure 2-9. GD32E230Fx LGA20 pinouts..... | 15 |
| Figure 2-10. GD32E230xx clock tree..... | 18 |
| Figure 4-1. Recommended power supply decoupling capacitors ⁽¹⁾⁽²⁾ | 50 |
| Figure 4-2. Typical supply current consumption in Run mode | 55 |
| Figure 4-3. Typical supply current consumption in Sleep mode..... | 55 |
| Figure 4-4. Recommended external NRST pin circuit..... | 64 |
| Figure 4-5. I/O port AC characteristics definition..... | 65 |
| Figure 4-6. CMP hysteresis..... | 68 |
| Figure 4-7. I2C bus timing diagram..... | 70 |
| Figure 4-8. SPI timing diagram - master mode | 71 |
| Figure 4-9. SPI timing diagram - slave mode..... | 72 |
| Figure 4-10. I2S timing diagram - master mode | 74 |
| Figure 4-11. I2S timing diagram - slave mode | 74 |
| Figure 5-1. LQFP48 package outline | 76 |
| Figure 5-2. LQFP48 recommended footprint | 77 |
| Figure 5-3. QFN48 package outline | 78 |
| Figure 5-4. QFN48 recommended footprint | 79 |
| Figure 5-5. LQFP32 package outline | 80 |
| Figure 5-6. LQFP32 recommended footprint | 81 |
| Figure 5-7. QFN32 package outline | 82 |
| Figure 5-8. QFN32 recommended footprint | 83 |
| Figure 5-9. QFN28 package outline | 84 |
| Figure 5-10. QFN28 recommended footprint | 85 |
| Figure 5-11. TSSOP24 package outline | 86 |
| Figure 5-12. TSSOP24 recommended footprint..... | 87 |
| Figure 5-13. TSSOP20 package outline | 88 |
| Figure 5-14. TSSOP20 recommended footprint..... | 89 |
| Figure 5-15. LGA20 package outline | 90 |
| Figure 5-16. LGA20 recommended footprint | 91 |

List of Tables

| | |
|--------------------------------------------------------------------------------------------------|----|
| Table 2-1. GD32E230xx devices features and peripheral list..... | 8 |
| Table 2-2. GD32E230xx devices features and peripheral list (continued)..... | 9 |
| Table 2-3. GD32E230xx devices features and peripheral list (continued)..... | 10 |
| Table 2-4. GD32E230xx memory map..... | 16 |
| Table 2-5. GD32E230Cx LQFP48 pin definitions | 19 |
| Table 2-6. GD32E230Cx QFN48 pin definitions | 22 |
| Table 2-7. GD32E230Kx LQFP32 pin definitions | 25 |
| Table 2-8. GD32E230Kx QFN32 pin definitions | 27 |
| Table 2-9. GD32E230Gx QFN28 pin definitions | 30 |
| Table 2-10. GD32E230Ex TSSOP24 pin definitions..... | 32 |
| Table 2-11. GD32E230Fx TSSOP20 pin definitions | 34 |
| Table 2-12. GD32E230Fx LGA20 pin definitions..... | 36 |
| Table 2-13. Port A alternate functions summary | 38 |
| Table 2-14. Port B alternate functions summary | 39 |
| Table 2-15. Port F alternate functions summary | 39 |
| Table 4-1. Absolute maximum ratings ⁽¹⁾⁽⁴⁾ | 49 |
| Table 4-2. DC operating conditions | 50 |
| Table 4-3. Clock frequency ⁽¹⁾ | 50 |
| Table 4-4. Operating conditions at Power up/ Power down ⁽¹⁾ | 50 |
| Table 4-5. Start-up timings of Operating conditions ⁽¹⁾ | 50 |
| Table 4-6. Power saving mode wakeup timings characteristics ⁽¹⁾⁽²⁾ | 51 |
| Table 4-7. Power consumption characteristics ⁽²⁾⁽³⁾⁽⁴⁾⁽⁵⁾ | 51 |
| Table 4-8. Peripheral current consumption characteristics ⁽¹⁾ | 56 |
| Table 4-9. EMS characteristics ⁽¹⁾ | 57 |
| Table 4-10. EMI characteristics ⁽¹⁾ | 57 |
| Table 4-11. Power supply supervisor characteristics ⁽¹⁾ | 58 |
| Table 4-12. ESD characteristics ⁽¹⁾ | 59 |
| Table 4-13. Static latch-up characteristics ⁽¹⁾ | 59 |
| Table 4-14. High speed external clock (HXTAL) generated from a crystal/ceramic characteristics . | 59 |
| Table 4-15. High speed external user clock characteristics (HXTAL in bypass mode)..... | 60 |
| Table 4-16. Low speed external clock (LXTAL) generated from a crystal/ceramic characteristics .. | 60 |
| Table 4-17. Low speed external user clock characteristics (LXTAL in bypass mode)..... | 61 |
| Table 4-18. High speed internal clock (IRC8M) characteristics | 61 |
| Table 4-19. Low speed internal clock (IRC40K) characteristics | 62 |
| Table 4-20. High speed internal clock (IRC28M) characteristics | 62 |
| Table 4-21. PLL characteristics | 63 |
| Table 4-22. Flash memory characteristics | 63 |
| Table 4-23. NRST pin characteristics..... | 63 |
| Table 4-24. I/O port DC characteristics ⁽¹⁾⁽³⁾ | 64 |
| Table 4-25. I/O port AC characteristics ⁽¹⁾⁽²⁾ | 65 |

| | |
|----------------------------------------------------------------------------------------|----|
| Table 4-26. ADC characteristics | 65 |
| Table 4-27. ADC R_{AIN} max for $f_{ADC} = 28$ MHz ⁽¹⁾ | 66 |
| Table 4-28. Internal reference voltage calibration values ⁽²⁾⁽³⁾ | 66 |
| Table 4-29. ADC dynamic accuracy at $f_{ADC} = 14$ MHz ⁽¹⁾ | 67 |
| Table 4-30. ADC static accuracy at $f_{ADC} = 14$ MHz ⁽¹⁾ | 67 |
| Table 4-31. Temperature sensor characteristics | 67 |
| Table 4-32. CMP characteristics ⁽¹⁾ | 67 |
| Table 4-33. TIMER characteristics ⁽¹⁾ | 68 |
| Table 4-34. I2C characteristics ⁽¹⁾⁽²⁾ | 70 |
| Table 4-35. Standard SPI characteristics ⁽¹⁾ | 71 |
| Table 4-36. I2S characteristics ⁽¹⁾ | 73 |
| Table 4-37. USART characteristics ⁽¹⁾ | 75 |
| Table 4-38. FWDGT min/max timeout period at 40 kHz (IRC40K) ⁽¹⁾ | 75 |
| Table 4-39. WWDGT min-max timeout value at 72 MHz (f_{PCLK1}) ⁽¹⁾ | 75 |
| Table 5-1. LQFP48 package dimensions | 76 |
| Table 5-2. QFN48 package dimensions | 78 |
| Table 5-3. LQFP32 package dimensions | 80 |
| Table 5-4. QFN32 package dimensions | 82 |
| Table 5-5. QFN28 package dimensions | 84 |
| Table 5-6. TSSOP24 package dimensions | 86 |
| Table 5-7. TSSOP20 package dimensions | 88 |
| Table 5-8. LGA20 package dimensions | 90 |
| Table 5-9. Package thermal characteristics ⁽¹⁾ | 92 |
| Table 6-1. Part ordering code for GD32E230xx devices | 94 |
| Table 7-1. Revision history | 96 |

1 General description

The GD32E230xx device belongs to the value line of GD32 MCU family. It is a new 32-bit general-purpose microcontroller based on the ARM® Cortex®-M23 core. The Cortex-M23 processor is an energy-efficient processor with a very low gate count. It is intended to be used for microcontroller and deeply embedded applications that require an area-optimized processor. The processor delivers high energy efficiency through a small but powerful instruction set and extensively optimized design, providing high-end processing hardware including a single-cycle multiplier and a 17-cycle divider.

The GD32E230xx device incorporates the ARM® Cortex®-M23 32-bit processor core operating at up to 72 MHz frequency with Flash accesses 0~2 wait states to obtain maximum efficiency. It provides up to 64 KB embedded Flash memory and up to 8 KB SRAM memory. An extensive range of enhanced I/Os and peripherals connected to two APB buses. The devices offer one 12-bit ADC and one comparator, up to five general 16-bit timers, a basic timer, a PWM advanced timer, as well as standard and advanced communication interfaces: up to two SPIs, two I2Cs, two USARTs, and an I2S.

The device operates from a 1.8 to 3.6 V power supply and available in -40 to +85 °C temperature range for grade 6 devices, and -40°C to +105°C temperature range for grade 7 devices. Several power saving modes provide the flexibility for maximum optimization between wakeup latency and power consumption, an especially important consideration in low power applications.

The above features make the GD32E230xx devices suitable for a wide range of applications, especially in areas such as industrial control, motor drives, user interface, power monitor and alarm systems, consumer and handheld equipment, gaming and GPS, E-bike and so on.



2 Device overview

2.1 Device information

Table 2-1. GD32E230xx devices features and peripheral list

| Part Number | GD32E230 | | | | | | | | | | | | |
|---------------------|-------------------------------|----------------------------------|----------------------------------|---------------------------------|---------------------------------|----------------------------------|----------------------------------|---------------------------------|---------------------------------|----------------------------------|----------------------------------|---------------------------------|---------------------------------|
| | K4U6 | K6U6 | K8U6 | K8U7 | K4T6 | K6T6 | K8T6 | K8T7 | C4T6 | C6T6 | C8T6 | C8T7 | |
| FLASH (KB) | 16 | 32 | 64 | 64 | 16 | 32 | 64 | 64 | 16 | 32 | 64 | 64 | |
| SRAM (KB) | 4 | 6 | 8 | 8 | 4 | 6 | 8 | 8 | 4 | 6 | 8 | 8 | |
| Timers | General timer(16-bit) | 4 <small>(2,13,15,16)</small> | 4 <small>(2,13,15,16)</small> | 5 <small>(2,13-16)</small> | 5 <small>(2,13-16)</small> | 4 <small>(2,13,15,16)</small> | 4 <small>(2,13,15,16)</small> | 5 <small>(2,13-16)</small> | 5 <small>(2,13-16)</small> | 4 <small>(2,13,15,16)</small> | 4 <small>(2,13,15,16)</small> | 5 <small>(2,13-16)</small> | 5 <small>(2,13-16)</small> |
| | Advanced timer(16-bit) | 1 <small>(0)</small> | 1 <small>(0)</small> | 1 <small>(0)</small> | 1 <small>(0)</small> | 1 <small>(0)</small> | 1 <small>(0)</small> | 1 <small>(0)</small> | 1 <small>(0)</small> | 1 <small>(0)</small> | 1 <small>(0)</small> | 1 <small>(0)</small> | 1 <small>(0)</small> |
| | SysTick | 1 | 1 | 1 | 1 | 1 | 1 | 1 | 1 | 1 | 1 | 1 | 1 |
| | Basic timer(16-bit) | 1 <small>(5)</small> | 1 <small>(5)</small> | 1 <small>(5)</small> | 1 <small>(5)</small> | 1 <small>(5)</small> | 1 <small>(5)</small> | 1 <small>(5)</small> | 1 <small>(5)</small> | 1 <small>(5)</small> | 1 <small>(5)</small> | 1 <small>(5)</small> | 1 <small>(5)</small> |
| | Watchdog | 2 | 2 | 2 | 2 | 2 | 2 | 2 | 2 | 2 | 2 | 2 | 2 |
| | RTC | 1 | 1 | 1 | 1 | 1 | 1 | 1 | 1 | 1 | 1 | 1 | 1 |
| Connectivity | USART | 1 <small>(0)</small> | 2 <small>(0-1)</small> | 2 <small>(0-1)</small> | 2 <small>(0-1)</small> | 1 <small>(0)</small> | 2 <small>(0-1)</small> | 2 <small>(0-1)</small> | 2 <small>(0-1)</small> | 1 <small>(0)</small> | 2 <small>(0-1)</small> | 2 <small>(0-1)</small> | 2 <small>(0-1)</small> |
| | I2C | 1 <small>(0)</small> | 1 <small>(0)</small> | 2 <small>(0-1)</small> | 2 <small>(0-1)</small> | 1 <small>(0)</small> | 1 <small>(0)</small> | 2 <small>(0-1)</small> | 2 <small>(0-1)</small> | 1 <small>(0)</small> | 1 <small>(0)</small> | 2 <small>(0-1)</small> | 2 <small>(0-1)</small> |
| | SPI/I2S | 1/1 <small>(0)/(0)</small> | 1/1 <small>(0)/(0)</small> | 2/1 <small>(0-1)/(0)</small> | 2/1 <small>(0-1)/(0)</small> | 1/1 <small>(0)/(0)</small> | 1/1 <small>(0)/(0)</small> | 2/1 <small>(0-1)/(0)</small> | 2/1 <small>(0-1)/(0)</small> | 1/1 <small>(0)/(0)</small> | 1/1 <small>(0)/(0)</small> | 2/1 <small>(0-1)/(0)</small> | 2/1 <small>(0-1)/(0)</small> |
| GPIO | 27 | 27 | 27 | 27 | 25 | 25 | 25 | 25 | 39 | 39 | 39 | 39 | |
| CMP | 1 | 1 | 1 | 1 | 1 | 1 | 1 | 1 | 1 | 1 | 1 | 1 | |
| EXTI | 16 | 16 | 16 | 16 | 16 | 16 | 16 | 16 | 16 | 16 | 16 | 16 | |
| ADC | Units | 1 | 1 | 1 | 1 | 1 | 1 | 1 | 1 | 1 | 1 | 1 | |
| | Channels (External) | 10 | 10 | 10 | 10 | 10 | 10 | 10 | 10 | 10 | 10 | 10 | |
| | Channels (Internal) | 2 | 2 | 2 | 2 | 2 | 2 | 2 | 2 | 2 | 2 | 2 | |
| Package | QFN32 | | | | LQFP32 | | | | LQFP48 | | | | |

Table 2-2. GD32E230xx devices features and peripheral list (continued)

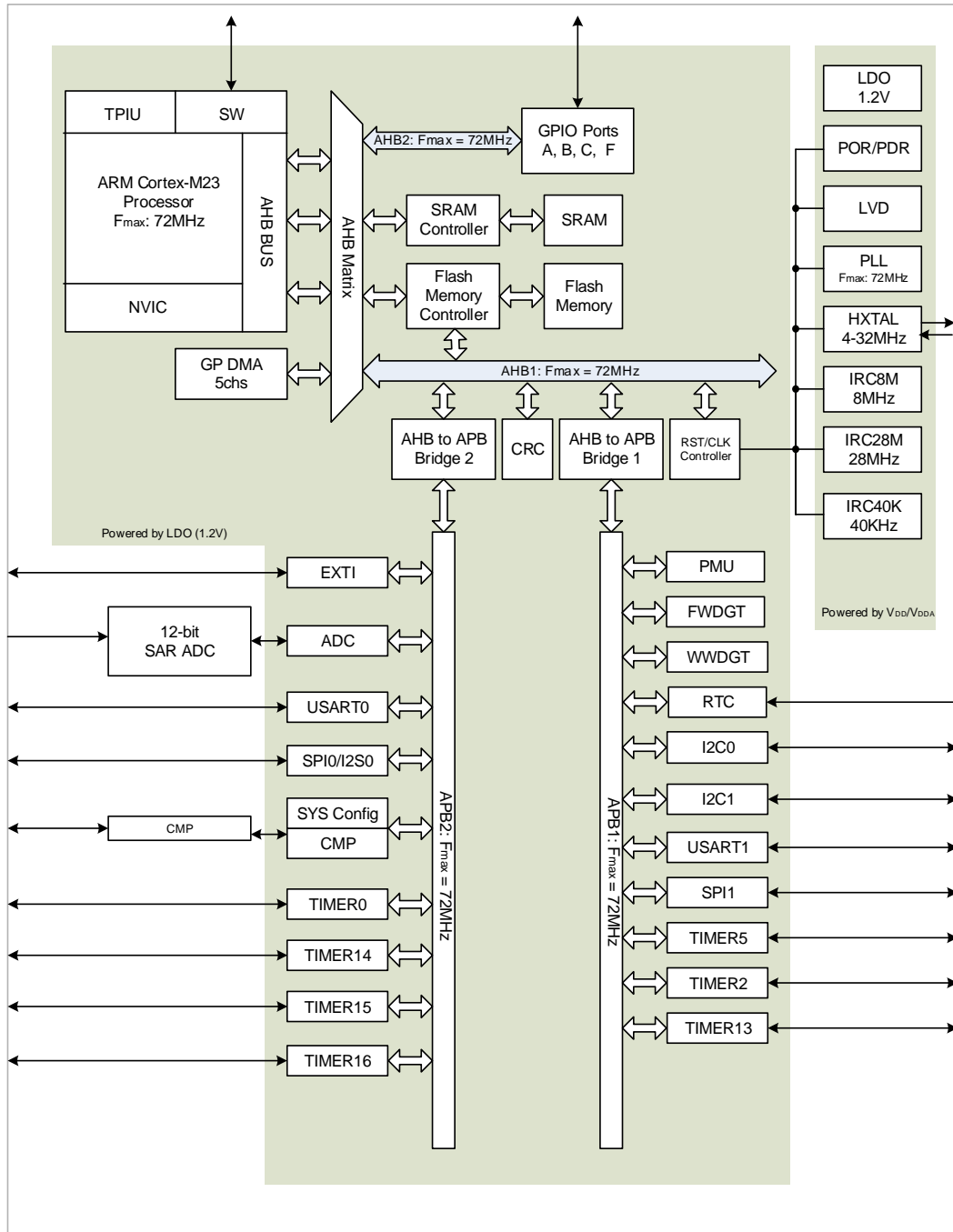
| Part Number | | GD32E230 | | | | | | | | | | | | |
|---------------------|-------------------------------|----------------------------------|----------------------------------|----------------------------------|----------------------------------|----------------------------------|----------------------------------|----------------------------------|----------------------------------|----------------------------------|----------------------------------|---------------------------------|---------------------------------|-------------------------|
| | | F4V6 | F6V6 | F8V6 | F8V7 | F4P6 | F6P6 | F8P6 | G4U6 | G6U6 | G6U7 | G8U6 | G8U7 | |
| FLASH (KB) | | 16 | 32 | 64 | 64 | 16 | 32 | 64 | 16 | 32 | 32 | 64 | 64 | |
| SRAM (KB) | | 4 | 6 | 8 | 8 | 4 | 6 | 8 | 4 | 6 | 6 | 8 | 8 | |
| Timers | General timer(16-bit) | 4 <small>(2,13,15,16)</small> | 4 <small>(2,13,15,16)</small> | 4 <small>(2,13,15,16)</small> | 4 <small>(2,13,15,16)</small> | 4 <small>(2,13,15,16)</small> | 4 <small>(2,13,15,16)</small> | 4 <small>(2,13,15,16)</small> | 4 <small>(2,13,15,16)</small> | 4 <small>(2,13,15,16)</small> | 4 <small>(2,13,15,16)</small> | 5 <small>(2,13-16)</small> | 5 <small>(2,13-16)</small> | |
| | Advanced timer(16-bit) | 1 <small>(0)</small> | 1 <small>(0)</small> | 1 <small>(0)</small> | 1 <small>(0)</small> | 1 <small>(0)</small> | 1 <small>(0)</small> | 1 <small>(0)</small> | 1 <small>(0)</small> | 1 <small>(0)</small> | 1 <small>(0)</small> | 1 <small>(0)</small> | 1 <small>(0)</small> | |
| | SysTick | 1 | 1 | 1 | 1 | 1 | 1 | 1 | 1 | 1 | 1 | 1 | 1 | |
| | Basic timer(16-bit) | 1 <small>(5)</small> | 1 <small>(5)</small> | 1 <small>(5)</small> | 1 <small>(5)</small> | 1 <small>(5)</small> | 1 <small>(5)</small> | 1 <small>(5)</small> | 1 <small>(5)</small> | 1 <small>(5)</small> | 1 <small>(5)</small> | 1 <small>(5)</small> | 1 <small>(5)</small> | 1 <small>(5)</small> |
| | Watchdog | 2 | 2 | 2 | 2 | 2 | 2 | 2 | 2 | 2 | 2 | 2 | 2 | 2 |
| | RTC | 1 | 1 | 1 | 1 | 1 | 1 | 1 | 1 | 1 | 1 | 1 | 1 | 1 |
| Connectivity | USART | 1 <small>(0)</small> | 2 <small>(0-1)</small> | 2 <small>(0-1)</small> | 2 <small>(0-1)</small> | 1 <small>(0)</small> | 2 <small>(0-1)</small> | 2 <small>(0-1)</small> | 1 <small>(0)</small> | 2 <small>(0-1)</small> | 2 <small>(0-1)</small> | 2 <small>(0-1)</small> | 2 <small>(0-1)</small> | |
| | I2C | 1 <small>(0)</small> | 1 <small>(0)</small> | 2 <small>(0-1)</small> | 2 <small>(0-1)</small> | 1 <small>(0)</small> | 1 <small>(0)</small> | 2 <small>(0-1)</small> | 1 <small>(0)</small> | 1 <small>(0)</small> | 1 <small>(0)</small> | 2 <small>(0-1)</small> | 2 <small>(0-1)</small> | |
| | SPI/I2S | 1/1 <small>(0)/(0)</small> | 1/1 <small>(0)/(0)</small> | 2/1 <small>(0-1)/(0)</small> | 2/1 <small>(0-1)/(0)</small> | 1/1 <small>(0)/(0)</small> | 1/1 <small>(0)/(0)</small> | 2/1 <small>(0-1)/(0)</small> | 1/1 <small>(0)/(0)</small> | 1/1 <small>(0)/(0)</small> | 1/1 <small>(0)/(0)</small> | 2/1 <small>(0-1)/(0)</small> | 2/1 <small>(0-1)/(0)</small> | |
| GPIO | | 15 | 15 | 15 | 15 | 15 | 15 | 15 | 23 | 23 | 23 | 23 | 23 | |
| CMP | | 1 | 1 | 1 | 1 | 1 | 1 | 1 | 1 | 1 | 1 | 1 | 1 | |
| EXTI | | 16 | 16 | 16 | 16 | 16 | 16 | 16 | 16 | 16 | 16 | 16 | 16 | |
| ADC | Units | 1 | 1 | 1 | 1 | 1 | 1 | 1 | 1 | 1 | 1 | 1 | 1 | |
| | Channels (External) | 9 | 9 | 9 | 9 | 9 | 9 | 9 | 10 | 10 | 10 | 10 | 10 | |
| | Channels (Internal) | 2 | 2 | 2 | 2 | 2 | 2 | 2 | 2 | 2 | 2 | 2 | 2 | |
| Package | | LGA20 | | | | TSSOP20 | | | QFN28 | | | | | |

Table 2-3. GD32E230xx devices features and peripheral list (continued)

| Part Number | | GD32E230 | | | | |
|---------------------|-------------------------------|----------------------------------|----------------------------------|----------------------------------|----------------------------------|---------------------------------|
| | | F4P7 | F6P7 | F8P7 | E8P6 | C8U6 |
| FLASH (KB) | | 16 | 32 | 64 | 64 | 64 |
| SRAM (KB) | | 4 | 6 | 8 | 8 | 8 |
| Timers | General timer(16-bit) | 4 <small>(2,13,15,16)</small> | 4 <small>(2,13,15,16)</small> | 4 <small>(2,13,15,16)</small> | 4 <small>(2,13,15,16)</small> | 5 <small>(2,13-16)</small> |
| | Advanced timer(16-bit) | 1 <small>(0)</small> | 1 <small>(0)</small> | 1 <small>(0)</small> | 1 <small>(0)</small> | 1 <small>(0)</small> |
| | SysTick | 1 | 1 | 1 | 1 | 1 |
| | Basic timer(16-bit) | 1 <small>(5)</small> | 1 <small>(5)</small> | 1 <small>(5)</small> | 1 <small>(5)</small> | 1 <small>(5)</small> |
| | Watchdog | 2 | 2 | 2 | 2 | 2 |
| | RTC | 1 | 1 | 1 | 1 | 1 |
| Connectivity | USART | 1 <small>(0)</small> | 2 <small>(0-1)</small> | 2 <small>(0-1)</small> | 2 <small>(0-1)</small> | 2 <small>(0-1)</small> |
| | I2C | 1 <small>(0)</small> | 1 <small>(0)</small> | 2 <small>(0-1)</small> | 2 <small>(0-1)</small> | 2 <small>(0-1)</small> |
| | SPI/I2S | 1/1 <small>(0)/(0)</small> | 1/1 <small>(0)/(0)</small> | 2/1 <small>(0-1)/(0)</small> | 2/1 <small>(0-1)/(0)</small> | 2/1 <small>(0-1)/(0)</small> |
| GPIO | | 15 | 15 | 15 | 19 | 39 |
| CMP | | 1 | 1 | 1 | 1 | 1 |
| EXTI | | 16 | 16 | 16 | 16 | 16 |
| ADC | Units | 1 | 1 | 1 | 1 | 1 |
| | Channels (External) | 9 | 9 | 9 | 10 | 10 |
| | Channels (Internal) | 2 | 2 | 2 | 2 | 2 |
| Package | | TSSOP20 | | TSSOP 24 | QFN48 | |

2.2 Block diagram

Figure 2-1. GD32E230xx block diagram



2.3 Pinouts and pin assignment

Figure 2-2. GD32E230Cx LQFP48 pinouts

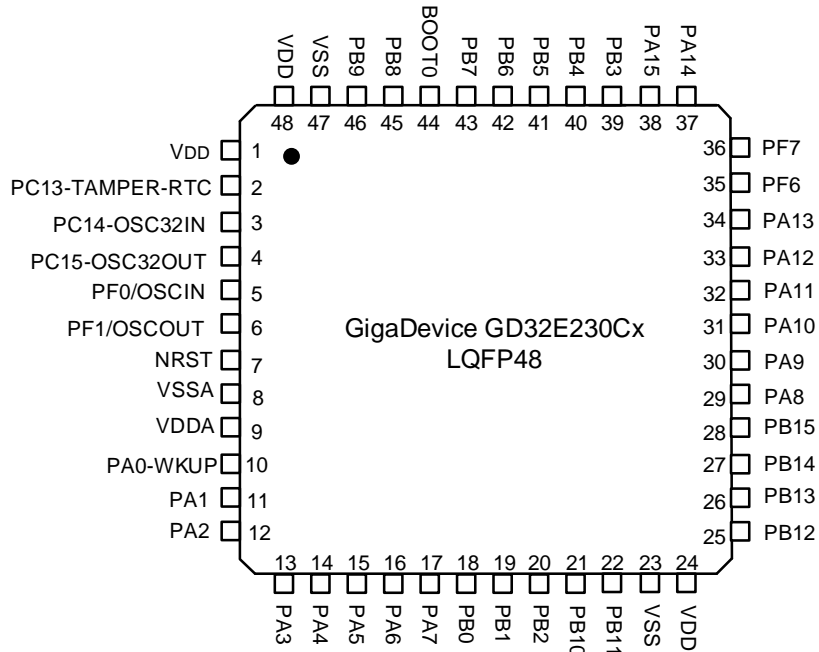


Figure 2-3. GD32E230Cx QFN48 pinouts

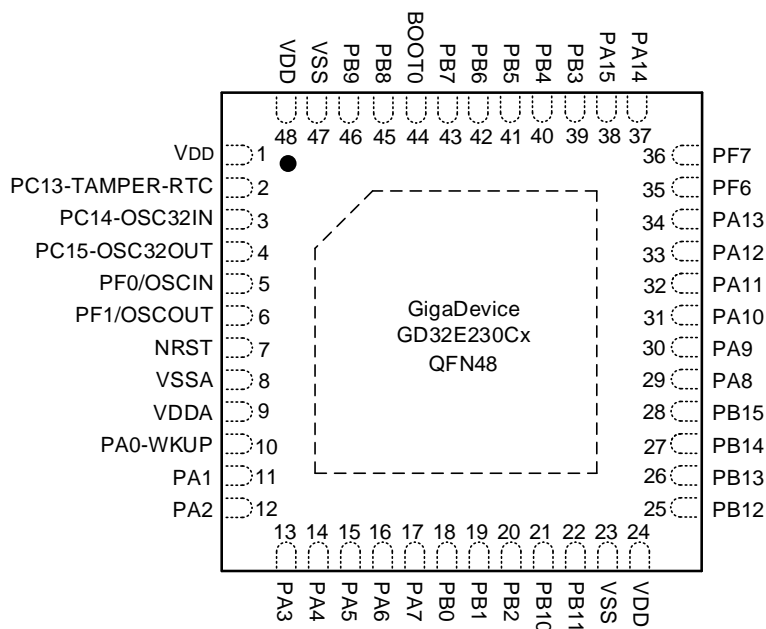


Figure 2-4. GD32E230Kx LQFP32 pinouts

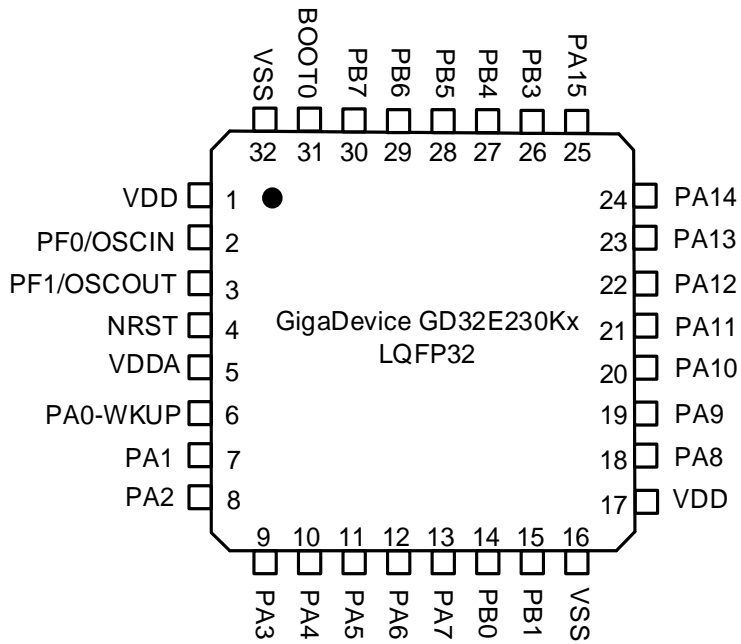


Figure 2-5. GD32E230Kx QFN32 pinouts

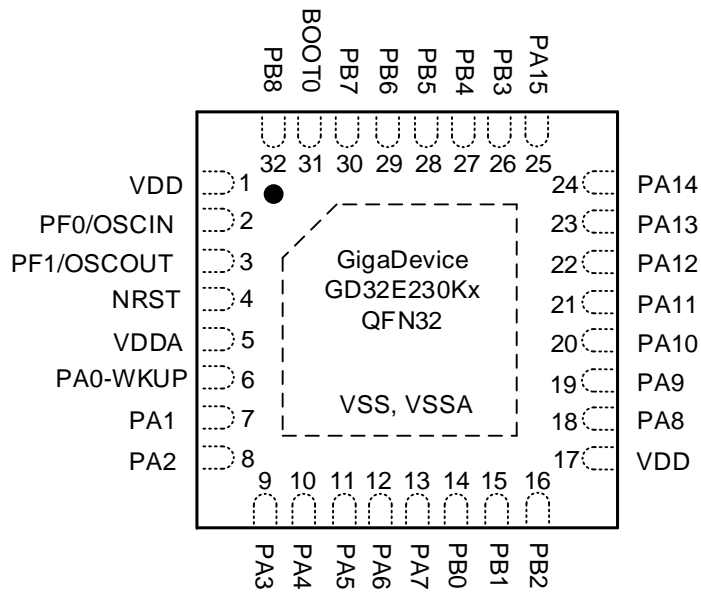


Figure 2-6. GD32E230Gx QFN28 pinouts

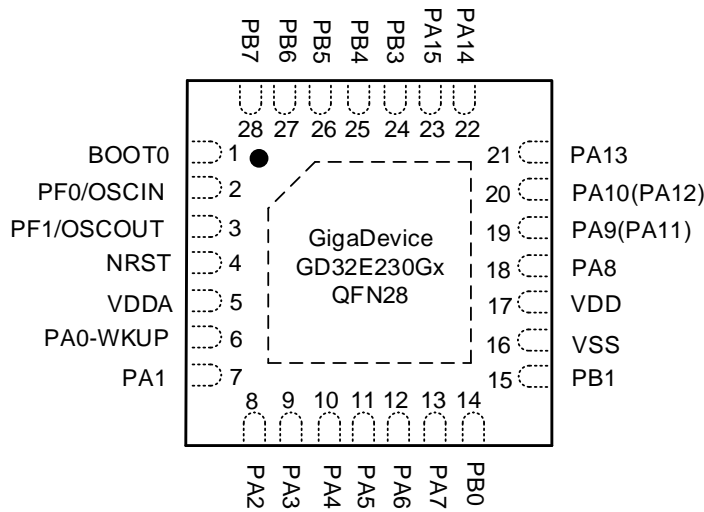


Figure 2-7. GD32E230Ex TSSOP24 pinouts

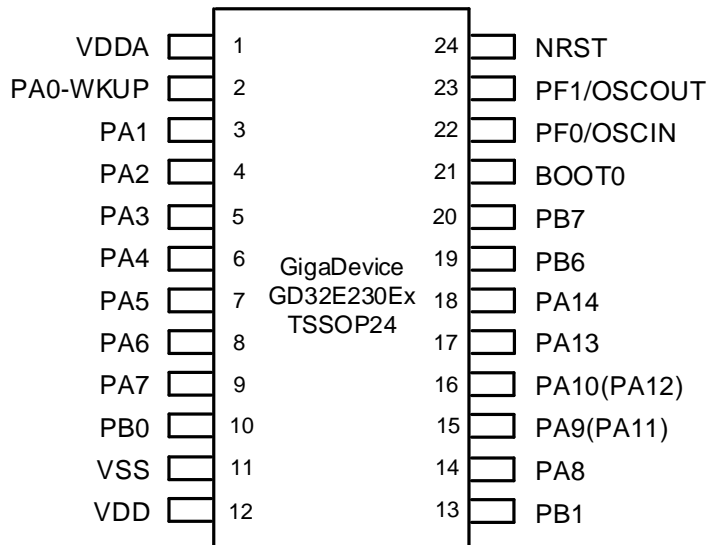


Figure 2-8. GD32E230Fx TSSOP20 pinouts

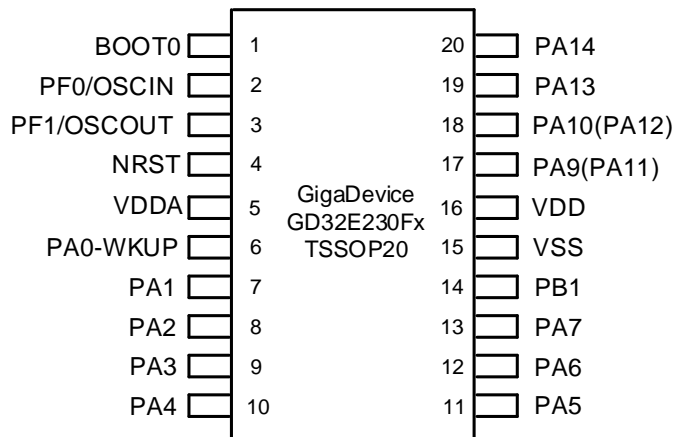
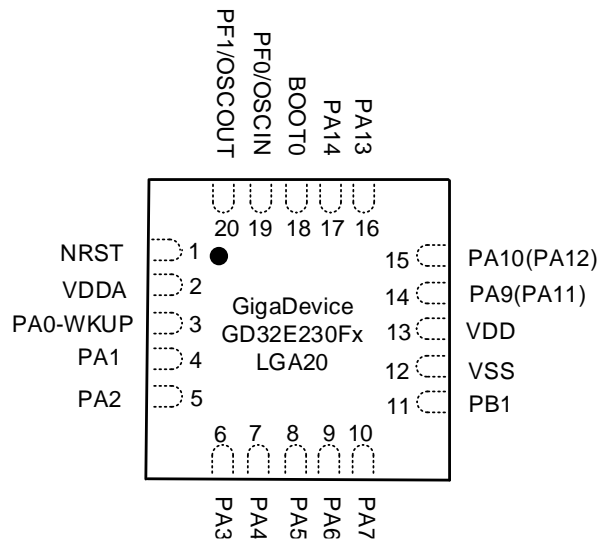


Figure 2-9. GD32E230Fx LGA20 pinouts



2.4 Memory map

Table 2-4. GD32E230xx memory map

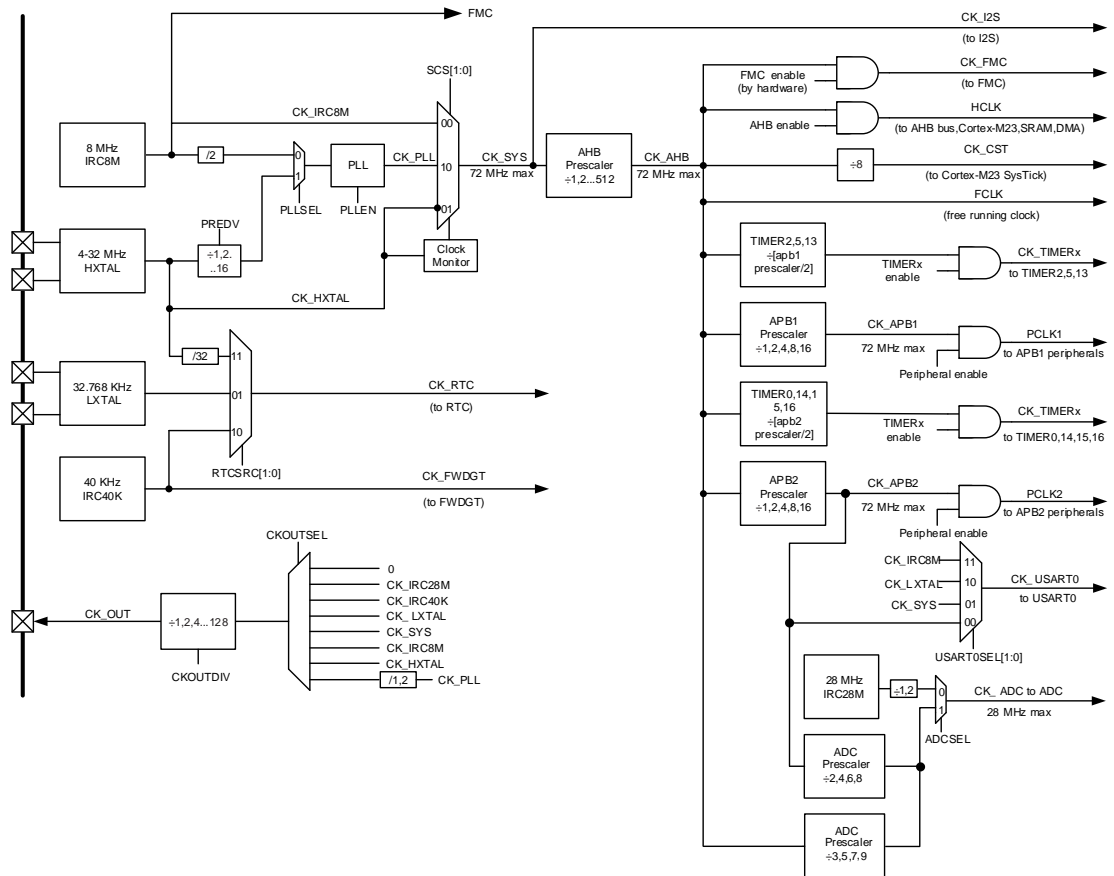
| Pre-defined Regions | Bus | ADDRESS | Peripherals |
|---------------------------|----------|---------------------------|---------------------------------|
| | | 0xE000 0000 - 0xE00F FFFF | Cortex M23 internal peripherals |
| External Device | | 0xA000 0000 - 0xDFFF FFFF | Reserved |
| External RAM | | 0x60000000 - 0x9FFFFFFF | Reserved |
| Peripherals | AHB1 | 0x5004 0000 - 0x5FFF FFFF | Reserved |
| | | 0x5000 0000 - 0x5003 FFFF | Reserved |
| | AHB2 | 0x4800 1800 - 0x4FFF FFFF | Reserved |
| | | 0x4800 1400 - 0x4800 17FF | GPIOF |
| | | 0x4800 1000 - 0x4800 13FF | Reserved |
| | | 0x4800 0C00 - 0x4800 0FFF | Reserved |
| | | 0x4800 0800 - 0x4800 0BFF | GPIOC |
| | | 0x4800 0400 - 0x4800 07FF | GPIOB |
| | | 0x4800 0000 - 0x4800 03FF | GPIOA |
| | AHB1 | 0x4002 4400 - 0x47FF FFFF | Reserved |
| | | 0x4002 4000 - 0x4002 43FF | Reserved |
| | | 0x4002 3400 - 0x4002 3FFF | Reserved |
| | | 0x4002 3000 - 0x4002 33FF | CRC |
| | | 0x4002 2400 - 0x4002 2FFF | Reserved |
| | | 0x4002 2000 - 0x4002 23FF | FMC |
| | | 0x4002 1400 - 0x4002 1FFF | Reserved |
| | | 0x4002 1000 - 0x4002 13FF | RCU |
| | | 0x4002 0400 - 0x4002 0FFF | Reserved |
| | | 0x4002 0000 - 0x4002 03FF | DMA |
| | APB2 | 0x4001 8000 - 0x4001 FFFF | Reserved |
| | | 0x4001 5C00 - 0x4001 7FFF | Reserved |
| | | 0x4001 5800 - 0x4001 5BFF | DBG |
| | | 0x4001 4C00 - 0x4001 57FF | Reserved |
| | | 0x4001 4800 - 0x4001 4BFF | TIMER16 |
| | | 0x4001 4400 - 0x4001 47FF | TIMER15 |
| | | 0x4001 4000 - 0x4001 43FF | TIMER14 |
| | | 0x4001 3C00 - 0x4001 3FFF | Reserved |
| | | 0x4001 3800 - 0x4001 3BFF | USART0 |
| | | 0x4001 3400 - 0x4001 37FF | Reserved |
| | | 0x4001 3000 - 0x4001 33FF | SPI0/I2S0 |
| | | 0x4001 2C00 - 0x4001 2FFF | TIMER0 |
| | | 0x4001 2800 - 0x4001 2BFF | Reserved |
| | | 0x4001 2400 - 0x4001 27FF | ADC |
| 0x4001 0800 - 0x4001 23FF | Reserved | | |

| Pre-defined Regions | Bus | ADDRESS | Peripherals |
|---------------------------|------|---------------------------|---------------------------|
| | | 0x4001 0400 - 0x4001 07FF | EXTI |
| | | 0x4001 0000 - 0x4001 03FF | SYSCFG + CMP |
| | APB1 | 0x4000 CC00 - 0x4000 FFFF | Reserved |
| | | 0x4000 C800 - 0x4000 CBFF | Reserved |
| | | 0x4000 C400 - 0x4000 C7FF | Reserved |
| | | 0x4000 C000 - 0x4000 C3FF | Reserved |
| | | 0x4000 8000 - 0x4000 BFFF | Reserved |
| | | 0x4000 7C00 - 0x4000 7FFF | Reserved |
| | | 0x4000 7800 - 0x4000 7BFF | Reserved |
| | | 0x4000 7400 - 0x4000 77FF | Reserved |
| | | 0x4000 7000 - 0x4000 73FF | PMU |
| | | 0x4000 6400 - 0x4000 6FFF | Reserved |
| | | 0x4000 6000 - 0x4000 63FF | Reserved |
| | | 0x4000 5C00 - 0x4000 5FFF | Reserved |
| | | 0x4000 5800 - 0x4000 5BFF | I2C1 |
| | | 0x4000 5400 - 0x4000 57FF | I2C0 |
| | | 0x4000 4800 - 0x4000 53FF | Reserved |
| | | 0x4000 4400 - 0x4000 47FF | USART1 |
| | | 0x4000 4000 - 0x4000 43FF | Reserved |
| | | 0x4000 3C00 - 0x4000 3FFF | Reserved |
| | | 0x4000 3800 - 0x4000 3BFF | SPI1 |
| | | 0x4000 3400 - 0x4000 37FF | Reserved |
| | | 0x4000 3000 - 0x4000 33FF | FWDGT |
| | | 0x4000 2C00 - 0x4000 2FFF | WWDGT |
| | | 0x4000 2800 - 0x4000 2BFF | RTC |
| | | 0x4000 2400 - 0x4000 27FF | Reserved |
| | | 0x4000 2000 - 0x4000 23FF | TIMER13 |
| | | 0x4000 1400 - 0x4000 1FFF | Reserved |
| | | 0x4000 1000 - 0x4000 13FF | TIMER5 |
| | | 0x4000 0800 - 0x4000 0FFF | Reserved |
| | | 0x4000 0400 - 0x4000 07FF | TIMER2 |
| | | 0x4000 0000 - 0x4000 03FF | Reserved |
| | SRAM | | 0x2000 2000 - 0x3FFF FFFF |
| 0x2000 0000 - 0x2000 1FFF | | | SRAM |
| Code | | 0x1FFF F810 - 0x1FFF FFFF | Reserved |
| | | 0x1FFF F800 - 0x1FFF F80F | Option bytes |
| | | 0x1FFF EC00 - 0x1FFF F7FF | System memory |
| | | 0x0801 0000 - 0x1FFF EBFF | Reserved |
| | | 0x0800 0000 - 0x0800 FFFF | Main Flash memory |
| | | 0x0001 0000 - 0x07FF FFFF | Reserved |

| Pre-defined Regions | Bus | ADDRESS | Peripherals |
|---------------------|-----|-------------------------|-----------------------------------|
| | | 0x00000000 - 0x0000FFFF | Aliased to Flash or system memory |

2.5 Clock tree

Figure 2-10. GD32E230xx clock tree



Note:

If the APB prescaler is 1, the timer clock frequencies are set to AHB frequency divide by 1. Otherwise, they are set to the AHB frequency divide by half of APB prescaler.

Legend:

- HXTAL: High speed crystal oscillator
- LXTAL: Low speed crystal oscillator
- IRC8M: Internal 8M RC oscillator
- IRC40K: Internal 40K RC oscillator
- IRC28M: Internal 28M RC oscillator

2.6 Pin definitions

2.6.1 GD32E230Cx LQFP48 pin definitions

Table 2-5. GD32E230Cx LQFP48 pin definitions

| GD32E230Cx LQFP48 | | | | |
|-------------------|------|-------------------------|--------------------------|---------------------------------------------------------------------------------------------------------------------------------------------------------------------------------------------------------|
| Pin Name | Pins | Pin Type ⁽¹⁾ | I/O Level ⁽²⁾ | Functions description |
| V _{DD} | 1 | P | | Default: V _{DD} |
| PC13-TAMPER-RTC | 2 | I/O | | Default: PC13 Additional: RTC_TAMP0, RTC_TS, RTC_OUT, WKUP1 |
| PC14-OSC32IN | 3 | I/O | | Default: PC14 Additional: OSC32IN |
| PC15-OSC32OUT | 4 | I/O | | Default: PC15 Additional: OSC32OUT |
| PF0/OSCIN | 5 | I/O | 5VT | Default: PF0 Alternate: I2C0_SDA Additional: OSCIN |
| PF1/OSCOU T | 6 | I/O | 5VT | Default: PF1 Alternate: I2C0_SCL Additional: OSCOUT |
| NRST | 7 | I/O | | Default: NRST |
| VSSA | 8 | P | | Default: VSSA |
| VDDA | 9 | P | | Default: VDDA |
| PA0-WKUP | 10 | I/O | | Default: PA0 Alternate: USART0_CTS ⁽³⁾ , USART1_CTS ⁽⁴⁾ , CMP_OUT, I2C1_SCL ⁽⁵⁾ Additional: ADC_IN0, CMP_IM6, RTC_TAMP1, WKUP0 |
| PA1 | 11 | I/O | | Default: PA1 Alternate: USART0_RTS/USART0_DE ⁽³⁾ , USART1_RTS/USART1_DE ⁽⁴⁾ , I2C1_SDA ⁽⁵⁾ , EVENTOUT, TIMER14_CH0_ON ⁽⁵⁾ Additional: ADC_IN1, CMP_IP |
| PA2 | 12 | I/O | | Default: PA2 Alternate: USART0_TX ⁽³⁾ , USART1_TX ⁽⁴⁾ , TIMER14_CH0 ⁽⁵⁾ Additional: ADC_IN2, CMP_IM7 |
| PA3 | 13 | I/O | | Default: PA3 Alternate: USART0_RX ⁽³⁾ , USART1_RX ⁽⁴⁾ , TIMER14_CH1 ⁽⁵⁾ Additional: ADC_IN3 |
| PA4 | 14 | I/O | | Default: PA4 Alternate: SPI0_NSS, I2S0_WS, USART0_CK ⁽³⁾ , |

| GD32E230Cx LQFP48 | | | | |
|-------------------|------|-------------------------|--------------------------|----------------------------------------------------------------------------------------------------------------------------------------------------------|
| Pin Name | Pins | Pin Type ⁽¹⁾ | I/O Level ⁽²⁾ | Functions description |
| | | | | USART1_CK ⁽⁴⁾ , TIMER13_CH0, SPI1_NSS ⁽⁵⁾ Additional: ADC_IN4, CMP_IM4 |
| PA5 | 15 | I/O | | Default: PA5 Alternate: SPI0_SCK, I2S0_CK Additional: ADC_IN5, CMP_IM5 |
| PA6 | 16 | I/O | | Default: PA6 Alternate: SPI0_MISO, I2S0_MCK, TIMER2_CH0, TIMER0_BRKIN, TIMER15_CH0, EVENTOUT, CMP_OUT Additional: ADC_IN6 |
| PA7 | 17 | I/O | | Default: PA7 Alternate: SPI0_MOSI, I2S0_SD, TIMER2_CH1, TIMER13_CH0, TIMER0_CH0_ON, TIMER16_CH0, EVENTOUT Additional: ADC_IN7 |
| PB0 | 18 | I/O | | Default: PB0 Alternate: TIMER2_CH2, TIMER0_CH1_ON, USART1_RX ⁽⁴⁾ , EVENTOUT Additional: ADC_IN8 |
| PB1 | 19 | I/O | | Default: PB1 Alternate: TIMER2_CH3, TIMER13_CH0, TIMER0_CH2_ON, SPI1_SCK ⁽⁵⁾ Additional: ADC_IN9 |
| PB2 | 20 | I/O | 5VT | Default: PB2 Alternate: TIMER2_ETI |
| PB10 | 21 | I/O | 5VT | Default: PB10 Alternate: I2C0_SCL ⁽³⁾ , I2C1_SCL ⁽⁵⁾ , SPI1_IO2 ⁽⁵⁾ , SPI1_SCK ⁽⁵⁾ |
| PB11 | 22 | I/O | 5VT | Default: PB11 Alternate: I2C0_SDA ⁽³⁾ , I2C1_SDA ⁽⁵⁾ , EVENTOUT, SPI1_IO3 ⁽⁵⁾ |
| VSS | 23 | P | | Default: VSS |
| VDD | 24 | P | | Default: VDD |
| PB12 | 25 | I/O | 5VT | Default: PB12 Alternate: SPI0_NSS ⁽³⁾ , SPI1_NSS ⁽⁵⁾ , TIMER0_BRKIN, I2C1_SMBA ⁽⁵⁾ , EVENTOUT |
| PB13 | 26 | I/O | 5VT | Default: PB13 Alternate: SPI0_SCK ⁽³⁾ , SPI1_SCK ⁽⁵⁾ , TIMER0_CH0_ON, I2C1_TXFRAME ⁽⁵⁾ , I2C1_SCL ⁽⁵⁾ |
| PB14 | 27 | I/O | 5VT | Default: PB14 Alternate: SPI0_MISO ⁽³⁾ , SPI1_MISO ⁽⁵⁾ , TIMER0_CH1_ON, TIMER14_CH0 ⁽⁵⁾ , I2C1_SDA ⁽⁵⁾ |
| PB15 | 28 | I/O | 5VT | Default: PB15 Alternate: SPI0_MOSI ⁽³⁾ , SPI1_MOSI ⁽⁵⁾ , |

| GD32E230Cx LQFP48 | | | | |
|-------------------|------|-------------------------|--------------------------|--------------------------------------------------------------------------------------------------------------------------------------------|
| Pin Name | Pins | Pin Type ⁽¹⁾ | I/O Level ⁽²⁾ | Functions description |
| | | | | TIMER0_CH2_ON, TIMER14_CH0_ON ⁽⁵⁾ , TIMER14_CH1 ⁽⁵⁾ Additional: RTC_REFIN, WKUP6 |
| PA8 | 29 | I/O | 5VT | Default: PA8 Alternate: USART0_CK, TIMER0_CH0, CK_OUT, USART1_TX ⁽⁴⁾ , EVENTOUT |
| PA9 | 30 | I/O | 5VT | Default: PA9 Alternate: USART0_TX, TIMER0_CH1, TIMER14_BRKIN ⁽⁵⁾ , I2C0_SCL, CK_OUT |
| PA10 | 31 | I/O | 5VT | Default: PA10 Alternate: USART0_RX, TIMER0_CH2, TIMER16_BRKIN, I2C0_SDA |
| PA11 | 32 | I/O | 5VT | Default: PA11 Alternate: USART0_CTS, TIMER0_CH3, CMP_OUT, EVENTOUT, SPI1_IO2 ⁽⁵⁾ , I2C0_SMBA, I2C1_SCL ⁽⁵⁾ |
| PA12 | 33 | I/O | 5VT | Default: PA12 Alternate: USART0_RTS/USART0_DE, TIMER0_ETI, EVENTOUT, SPI1_IO3 ⁽⁵⁾ , I2C0_TXFRAME, I2C1_SDA ⁽⁵⁾ |
| PA13 | 34 | I/O | 5VT | Default: PA13/SWDIO Alternate: SWDIO, IFRP_OUT, SPI1_MISO ⁽⁵⁾ |
| PF6 | 35 | I/O | 5VT | Default: PF6 Alternate: I2C0_SCL ⁽³⁾ , I2C1_SCL ⁽⁵⁾ |
| PF7 | 36 | I/O | 5VT | Default: PF7 Alternate: I2C0_SDA ⁽³⁾ , I2C1_SDA ⁽⁵⁾ |
| PA14 | 37 | I/O | 5VT | Default: PA14/SWCLK Alternate: USART0_TX ⁽³⁾ , USART1_TX ⁽⁴⁾ , SWCLK, SPI1_MOSI ⁽⁵⁾ |
| PA15 | 38 | I/O | 5VT | Default: PA15 Alternate: SPI0_NSS, I2S0_WS, USART0_RX ⁽³⁾ , USART1_RX ⁽⁴⁾ , SPI1_NSS ⁽⁵⁾ , EVENTOUT |
| PB3 | 39 | I/O | 5VT | Default: PB3 Alternate: SPI0_SCK, I2S0_CK, EVENTOUT |
| PB4 | 40 | I/O | 5VT | Default: PB4 Alternate: SPI0_MISO, I2S0_MCK, TIMER2_CH0, EVENTOUT, I2C0_TXFRAME, TIMER16_BRKIN |
| PB5 | 41 | I/O | 5VT | Default: PB5 Alternate: SPI0_MOSI, I2S0_SD, I2C0_SMBA, TIMER15_BRKIN, TIMER2_CH1 Additional: WKUP5 |
| PB6 | 42 | I/O | 5VT | Default: PB6 Alternate: I2C0_SCL, USART0_TX, TIMER15_CH0_ON |
| PB7 | 43 | I/O | 5VT | Default: PB7 Alternate: I2C0_SDA, USART0_RX, TIMER16_CH0_ON |
| BOOT0 | 44 | I | | Default: BOOT0 |

| GD32E230Cx LQFP48 | | | | |
|-------------------|------|-------------------------|--------------------------|---------------------------------------------------------------------------------------------------------|
| Pin Name | Pins | Pin Type ⁽¹⁾ | I/O Level ⁽²⁾ | Functions description |
| PB8 | 45 | I/O | 5VT | Default: PB8 Alternate: I2C0_SCL, TIMER15_CH0 |
| PB9 | 46 | I/O | 5VT | Default: PB9 Alternate: I2C0_SDA, IFRP_OUT, TIMER16_CH0, EVENTOUT, I2S0_MCK, SPI1_NSS ⁽⁵⁾ |
| VSS | 47 | P | | Default: VSS |
| VDD | 48 | P | | Default: VDD |

Notes:

- (1) Type: I = input, O = output, P = power.
- (2) I/O Level: 5VT = 5 V tolerant.
- (3) Functions are available on GD32E230C4 devices only.
- (4) Functions are available on GD32E230C8/6 devices.
- (5) Functions are available on GD32E230C8 devices only.

2.6.2 GD32E230Cx QFN48 pin definitions

Table 2-6. GD32E230Cx QFN48 pin definitions

| GD32E230Cx QFN48 | | | | |
|------------------|------|-------------------------|--------------------------|------------------------------------------------------------------------------------------------------------|
| Pin Name | Pins | Pin Type ⁽¹⁾ | I/O Level ⁽²⁾ | Functions description |
| V _{DD} | 1 | P | | Default: V _{DD} |
| PC13-TAMPER-RTC | 2 | I/O | | Default: PC13 Additional: RTC_TAMP0, RTC_TS, RTC_OUT, WKUP1 |
| PC14-OSC32IN | 3 | I/O | | Default: PC14 Additional: OSC32IN |
| PC15-OSC32OUT | 4 | I/O | | Default: PC15 Additional: OSC32OUT |
| PF0/OSCIN | 5 | I/O | 5VT | Default: PF0 Alternate: I2C0_SDA Additional: OSCIN |
| PF1/OSCOU T | 6 | I/O | 5VT | Default: PF1 Alternate: I2C0_SCL Additional: OSCOUT |
| NRST | 7 | I/O | | Default: NRST |
| VSSA | 8 | P | | Default: VSSA |
| VDDA | 9 | P | | Default: VDDA |
| PA0-WKUP | 10 | I/O | | Default: PA0 Alternate: USART1_CTS, CMP_OUT, I2C1_SCL Additional: ADC_IN0, CMP_IM6, RTC_TAMP1, WKUP0 |
| PA1 | 11 | I/O | | Default: PA1 |

| GD32E230Cx QFN48 | | | | |
|------------------|------|-------------------------|--------------------------|-------------------------------------------------------------------------------------------------------------------------------------|
| Pin Name | Pins | Pin Type ⁽¹⁾ | I/O Level ⁽²⁾ | Functions description |
| | | | | Alternate: USART1_RTS/USART1_DE, I2C1_SDA, EVENTOUT, TIMER14_CH0_ON Additional: ADC_IN1, CMP_IP |
| PA2 | 12 | I/O | | Default: PA2 Alternate: USART1_TX, TIMER14_CH0 Additional: ADC_IN2, CMP_IM7 |
| PA3 | 13 | I/O | | Default: PA3 Alternate: USART1_RX, TIMER14_CH1 Additional: ADC_IN3 |
| PA4 | 14 | I/O | | Default: PA4 Alternate: SPI0_NSS, I2S0_WS, USART1_CK, TIMER13_CH0, SPI1_NSS Additional: ADC_IN4, CMP_IM4 |
| PA5 | 15 | I/O | | Default: PA5 Alternate: SPI0_SCK, I2S0_CK Additional: ADC_IN5, CMP_IM5 |
| PA6 | 16 | I/O | | Default: PA6 Alternate: SPI0_MISO, I2S0_MCK, TIMER2_CH0, TIMER0_BRKIN, TIMER15_CH0, EVENTOUT, CMP_OUT Additional: ADC_IN6 |
| PA7 | 17 | I/O | | Default: PA7 Alternate: SPI0_MOSI, I2S0_SD, TIMER2_CH1, TIMER13_CH0, TIMER0_CH0_ON, TIMER16_CH0, EVENTOUT Additional: ADC_IN7 |
| PB0 | 18 | I/O | | Default: PB0 Alternate: TIMER2_CH2, TIMER0_CH1_ON, USART1_RX, EVENTOUT Additional: ADC_IN8 |
| PB1 | 19 | I/O | | Default: PB1 Alternate: TIMER2_CH3, TIMER13_CH0, TIMER0_CH2_ON, SPI1_SCK Additional: ADC_IN9 |
| PB2 | 20 | I/O | 5VT | Default: PB2 Alternate: TIMER2_ETI |
| PB10 | 21 | I/O | 5VT | Default: PB10 Alternate: I2C1_SCL, SPI1_IO2, SPI1_SCK |
| PB11 | 22 | I/O | 5VT | Default: PB11 Alternate: I2C1_SDA, EVENTOUT, SPI1_IO3 |
| VSS | 23 | P | | Default: VSS |
| VDD | 24 | P | | Default: VDD |
| PB12 | 25 | I/O | 5VT | Default: PB12 Alternate: SPI1_NSS, TIMER0_BRKIN, I2C1_SMBA, EVENTOUT |

| GD32E230Cx QFN48 | | | | |
|------------------|------|-------------------------|--------------------------|-------------------------------------------------------------------------------------------------------------------|
| Pin Name | Pins | Pin Type ⁽¹⁾ | I/O Level ⁽²⁾ | Functions description |
| PB13 | 26 | I/O | 5VT | Default: PB13 Alternate: SPI1_SCK, TIMER0_CH0_ON, I2C1_TXFRAME, I2C1_SCL |
| PB14 | 27 | I/O | 5VT | Default: PB14 Alternate: SPI1_MISO, TIMER0_CH1_ON, TIMER14_CH0, I2C1_SDA |
| PB15 | 28 | I/O | 5VT | Default: PB15 Alternate: SPI1_MOSI, TIMER0_CH2_ON, TIMER14_CH0_ON, TIMER14_CH1 Additional: RTC_REFIN, WKUP6 |
| PA8 | 29 | I/O | 5VT | Default: PA8 Alternate: USART0_CK, TIMER0_CH0, CK_OUT, USART1_TX, EVENTOUT |
| PA9 | 30 | I/O | 5VT | Default: PA9 Alternate: USART0_TX, TIMER0_CH1, TIMER14_BRKIN, I2C0_SCL, CK_OUT |
| PA10 | 31 | I/O | 5VT | Default: PA10 Alternate: USART0_RX, TIMER0_CH2, TIMER16_BRKIN, I2C0_SDA |
| PA11 | 32 | I/O | 5VT | Default: PA11 Alternate: USART0_CTS, TIMER0_CH3, CMP_OUT, EVENTOUT, SPI1_IO2, I2C0_SMBA, I2C1_SCL |
| PA12 | 33 | I/O | 5VT | Default: PA12 Alternate: USART0_RTS/USART0_DE, TIMER0_ETI, EVENTOUT, SPI1_IO3, I2C0_TXFRAME, I2C1_SDA |
| PA13 | 34 | I/O | 5VT | Default: PA13/SWDIO Alternate: SWDIO, IFRP_OUT, SPI1_MISO |
| PF6 | 35 | I/O | 5VT | Default: PF6 Alternate: I2C1_SCL |
| PF7 | 36 | I/O | 5VT | Default: PF7 Alternate: I2C1_SDA |
| PA14 | 37 | I/O | 5VT | Default: PA14/SWCLK Alternate: USART1_TX, SWCLK, SPI1_MOSI |
| PA15 | 38 | I/O | 5VT | Default: PA15 Alternate: SPI0_NSS, I2S0_WS, USART1_RX, SPI1_NSS, EVENTOUT |
| PB3 | 39 | I/O | 5VT | Default: PB3 Alternate: SPI0_SCK, I2S0_CK, EVENTOUT |
| PB4 | 40 | I/O | 5VT | Default: PB4 Alternate: SPI0_MISO, I2S0_MCK, TIMER2_CH0, EVENTOUT, I2C0_TXFRAME, TIMER16_BRKIN |
| PB5 | 41 | I/O | 5VT | Default: PB5 Alternate: SPI0_MOSI, I2S0_SD, I2C0_SMBA, TIMER15_BRKIN, TIMER2_CH1 |

| GD32E230Cx QFN48 | | | | |
|------------------|------|-------------------------|--------------------------|------------------------------------------------------------------------------------------|
| Pin Name | Pins | Pin Type ⁽¹⁾ | I/O Level ⁽²⁾ | Functions description |
| | | | | Additional: WKUP5 |
| PB6 | 42 | I/O | 5VT | Default: PB6 Alternate: I2C0_SCL, USART0_TX, TIMER15_CH0_ON |
| PB7 | 43 | I/O | 5VT | Default: PB7 Alternate: I2C0_SDA, USART0_RX, TIMER16_CH0_ON |
| BOOT0 | 44 | I | | Default: BOOT0 |
| PB8 | 45 | I/O | 5VT | Default: PB8 Alternate: I2C0_SCL, TIMER15_CH0 |
| PB9 | 46 | I/O | 5VT | Default: PB9 Alternate: I2C0_SDA, IFRP_OUT, TIMER16_CH0, EVENTOUT, I2S0_MCK, SPI1_NSS |
| VSS | 47 | P | | Default: VSS |
| VDD | 48 | P | | Default: VDD |

Notes:

- (1) Type: I = input, O = output, P = power.
(2) I/O Level: 5VT = 5 V tolerant.

2.6.3 GD32E230Kx LQFP32 pin definitions

Table 2-7. GD32E230Kx LQFP32 pin definitions

| GD32E230Kx LQFP32 | | | | |
|-------------------|------|-------------------------|--------------------------|---------------------------------------------------------------------------------------------------------------------------------------------------------------------------------------------------------|
| Pin Name | Pins | Pin Type ⁽¹⁾ | I/O Level ⁽²⁾ | Functions description |
| VDD | 1 | P | | Default: VDD |
| PF0/OSCIN | 2 | I/O | 5VT | Default: PF0 Alternate: I2C0_SDA Additional: OSCIN |
| PF1/OSCOU T | 3 | I/O | 5VT | Default: PF1 Alternate: I2C0_SCL Additional: OSCOUT |
| NRST | 4 | I/O | | Default: NRST |
| VDDA | 5 | P | | Default: VDDA |
| PA0-WKUP | 6 | I/O | | Default: PA0 Alternate: USART0_CTS ⁽³⁾ , USART1_CTS ⁽⁴⁾ , CMP_OUT, I2C1_SCL ⁽⁵⁾ Additional: ADC_IN0, CMP_IM6, RTC_TAMP1, WKUP0 |
| PA1 | 7 | I/O | | Default: PA1 Alternate: USART0_RTS/USART0_DE ⁽³⁾ , USART1_RTS/USART1_DE ⁽⁴⁾ , I2C1_SDA ⁽⁵⁾ , EVENTOUT, TIMER14_CH0_ON ⁽⁵⁾ Additional: ADC_IN1, CMP_IP |
| PA2 | 8 | I/O | | Default: PA2 |

| GD32E230Kx LQFP32 | | | | |
|-------------------|------|-------------------------|--------------------------|-----------------------------------------------------------------------------------------------------------------------------------------------------------------------------|
| Pin Name | Pins | Pin Type ⁽¹⁾ | I/O Level ⁽²⁾ | Functions description |
| | | | | Alternate: USART0_TX ⁽³⁾ , USART1_TX ⁽⁴⁾ , TIMER14_CH0 ⁽⁵⁾ Additional: ADC_IN2, CMP_IM7 |
| PA3 | 9 | I/O | | Default: PA3 Alternate: USART0_RX ⁽³⁾ , USART1_RX ⁽⁴⁾ , TIMER14_CH1 ⁽⁵⁾ Additional: ADC_IN3 |
| PA4 | 10 | I/O | | Default: PA4 Alternate: SPI0_NSS, I2S0_WS, USART0_CK ⁽³⁾ , USART1_CK ⁽⁴⁾ , TIMER13_CH0, SPI1_NSS ⁽⁵⁾ Additional: ADC_IN4, CMP_IM4 |
| PA5 | 11 | I/O | | Default: PA5 Alternate: SPI0_SCK, I2S0_CK Additional: ADC_IN5, CMP_IM5 |
| PA6 | 12 | I/O | | Default: PA6 Alternate: SPI0_MISO, I2S0_MCK, TIMER2_CH0, TIMER0_BRKIN, TIMER15_CH0, EVENTOUT, CMP_OUT Additional: ADC_IN6 |
| PA7 | 13 | I/O | | Default: PA7 Alternate: SPI0_MOSI, I2S0_SD, TIMER2_CH1, TIMER13_CH0, TIMER0_CH0_ON, TIMER16_CH0, EVENTOUT Additional: ADC_IN7 |
| PB0 | 14 | I/O | | Default: PB0 Alternate: TIMER2_CH2, TIMER0_CH1_ON, USART1_RX ⁽⁴⁾ , EVENTOUT Additional: ADC_IN8 |
| PB1 | 15 | I/O | | Default: PB1 Alternate: TIMER2_CH3, TIMER13_CH0, TIMER0_CH2_ON, SPI1_SCK ⁽⁵⁾ Additional: ADC_IN9 |
| VSS | 16 | P | | Default: VSS |
| VDD | 17 | P | | Default: VDD |
| PA8 | 18 | I/O | 5VT | Default: PA8 Alternate: USART0_CK, TIMER0_CH0, CK_OUT, USART1_TX ⁽⁴⁾ , EVENTOUT |
| PA9 | 19 | I/O | 5VT | Default: PA9 Alternate: USART0_TX, TIMER0_CH1, TIMER14_BRKIN ⁽⁵⁾ , I2C0_SCL, CK_OUT |
| PA10 | 20 | I/O | 5VT | Default: PA10 Alternate: USART0_RX, TIMER0_CH2, TIMER16_BRKIN, I2C0_SDA |
| PA11 | 21 | I/O | 5VT | Default: PA11 Alternate: USART0_CTS, TIMER0_CH3, CMP_OUT, |

| GD32E230Kx LQFP32 | | | | |
|-------------------|------|-------------------------|--------------------------|-----------------------------------------------------------------------------------------------------------------------------------------|
| Pin Name | Pins | Pin Type ⁽¹⁾ | I/O Level ⁽²⁾ | Functions description |
| | | | | EVENTOUT, SPI1_IO2 ⁽⁵⁾ , I2C0_SMBA, I2C1_SCL ⁽⁵⁾ |
| PA12 | 22 | I/O | 5VT | Default: PA12 Alternate: USART0_RTS/USART0_DE, TIMER0_ETI, EVENTOUT, SPI1_IO3 ⁽⁵⁾ , I2C0_TXFRAME, I2C1_SDA ⁽⁵⁾ |
| PA13 | 23 | I/O | 5VT | Default: PA13/SWDIO Alternate: SWDIO, IFRP_OUT, SPI1_MISO ⁽⁵⁾ |
| PA14 | 24 | I/O | 5VT | Default: PA14/SWCLK Alternate: USART0_TX ⁽³⁾ , USART1_TX ⁽⁴⁾ , SWCLK, SPI1_MOSI ⁽⁵⁾ |
| PA15 | 25 | I/O | 5VT | Default: PA15 Alternate: SPI0_NSS, I2S0_WS, USART0_RX ⁽³⁾ , USART1_RX ⁽⁴⁾ , SPI1_NSS ⁽⁵⁾ , EVENTOUT |
| PB3 | 26 | I/O | 5VT | Default: PB3 Alternate: SPI0_SCK, I2S0_CK, EVENTOUT |
| PB4 | 27 | I/O | 5VT | Default: PB4 Alternate: SPI0_MISO, I2S0_MCK, TIMER2_CH0, EVENTOUT, I2C0_TXFRAME, TIMER16_BRKIN |
| PB5 | 28 | I/O | 5VT | Default: PB5 Alternate: SPI0_MOSI, I2S0_SD, I2C0_SMBA, TIMER15_BRKIN, TIMER2_CH1 Additional: WKUP5 |
| PB6 | 29 | I/O | 5VT | Default: PB6 Alternate: I2C0_SCL, USART0_TX, TIMER15_CH0_ON |
| PB7 | 30 | I/O | 5VT | Default: PB7 Alternate: I2C0_SDA, USART0_RX, TIMER16_CH0_ON |
| BOOT0 | 31 | I | | Default: BOOT0 |
| VSS | 32 | P | | Default: VSS |

Notes:

- (1) Type: I = input, O = output, P = power.
- (2) I/O Level: 5VT = 5 V tolerant.
- (3) Functions are available on GD32E230K4 devices only.
- (4) Functions are available on GD32E230K8/6 devices.
- (5) Functions are available on GD32E230K8 devices only.

2.6.4 GD32E230Kx QFN32 pin definitions

Table 2-8. GD32E230Kx QFN32 pin definitions

| GD32E230Kx QFN32 | | | | |
|------------------|------|-------------------------|--------------------------|-------------------------------------|
| Pin Name | Pins | Pin Type ⁽¹⁾ | I/O Level ⁽²⁾ | Functions description |
| VDD | 1 | P | | Default: VDD |
| PF0/OSCIN | 2 | I/O | 5VT | Default: PF0 Alternate: I2C0_SDA |

| GD32E230Kx QFN32 | | | | |
|------------------|------|-------------------------|--------------------------|---------------------------------------------------------------------------------------------------------------------------------------------------------------------------------------------------------------|
| Pin Name | Pins | Pin Type ⁽¹⁾ | I/O Level ⁽²⁾ | Functions description |
| | | | | Additional: OSCIN |
| PF1/OSCOU T | 3 | I/O | 5VT | Default: PF1 Alternate: I2C0_SCL Additional: OSCOUT |
| NRST | 4 | I/O | | Default: NRST |
| VDDA | 5 | P | | Default: VDDA |
| PA0-WKUP | 6 | I/O | | Default: PA0 Alternate: USART0_CTS ⁽³⁾ , USART1_CTS ⁽⁴⁾ , CMP_OUT, I2C1_SCL ⁽⁵⁾ Additional: ADC_IN0, CMP_IM6, RTC_TAMP1, WKUP0 |
| PA1 | 7 | I/O | | Default: PA1 Alternate: USART0_RTS/USART0_DE ⁽³⁾ , USART1_RTS/USART1_DE ⁽⁴⁾ , I2C1_SDA ⁽⁵⁾ , EVENTOUT, TIMER14_CH0_ON ⁽⁵⁾ Additional: ADC_IN1, CMP_IP |
| PA2 | 8 | I/O | | Default: PA2 Alternate: USART0_TX ⁽³⁾ , USART1_TX ⁽⁴⁾ , TIMER14_CH0 ⁽⁵⁾ Additional: ADC_IN2, CMP_IM7 |
| PA3 | 9 | I/O | | Default: PA3 Alternate: USART0_RX ⁽³⁾ , USART1_RX ⁽⁴⁾ , TIMER14_CH1 ⁽⁵⁾ Additional: ADC_IN3 |
| PA4 | 10 | I/O | | Default: PA4 Alternate: SPI0_NSS, I2S0_WS, USART0_CK ⁽³⁾ , USART1_CK ⁽⁴⁾ , TIMER13_CH0, SPI1_NSS ⁽⁵⁾ Additional: ADC_IN4, CMP_IM4 |
| PA5 | 11 | I/O | | Default: PA5 Alternate: SPI0_SCK, I2S0_CK Additional: ADC_IN5, CMP_IM5 |
| PA6 | 12 | I/O | | Default: PA6 Alternate: SPI0_MISO, I2S0_MCK, TIMER2_CH0, TIMER0_BRKIN, TIMER15_CH0, EVENTOUT, CMP_OUT Additional: ADC_IN6 |
| PA7 | 13 | I/O | | Default: PA7 Alternate: SPI0_MOSI, I2S0_SD, TIMER2_CH1, TIMER13_CH0, TIMER0_CH0_ON, TIMER16_CH0, EVENTOUT Additional: ADC_IN7 |
| PB0 | 14 | I/O | | Default: PB0 Alternate: TIMER2_CH2, TIMER0_CH1_ON, USART1_RX ⁽⁴⁾ , EVENTOUT Additional: ADC_IN8 |
| PB1 | 15 | I/O | | Default: PB1 |

| GD32E230Kx QFN32 | | | | |
|------------------|------|-------------------------|--------------------------|--------------------------------------------------------------------------------------------------------------------------------------------|
| Pin Name | Pins | Pin Type ⁽¹⁾ | I/O Level ⁽²⁾ | Functions description |
| | | | | Alternate: TIMER2_CH3, TIMER13_CH0, TIMER0_CH2_ON, SPI1_SCK ⁽⁵⁾ Additional: ADC_IN9 |
| PB2 | 16 | I/O | 5VT | Default: PB2 Alternate: TIMER2_ETI |
| VDD | 17 | P | | Default: VDD |
| PA8 | 18 | I/O | 5VT | Default: PA8 Alternate: USART0_CK, TIMER0_CH0, CK_OUT, USART1_TX ⁽⁴⁾ , EVENTOUT |
| PA9 | 19 | I/O | 5VT | Default: PA9 Alternate: USART0_TX, TIMER0_CH1, TIMER14_BRKIN ⁽⁵⁾ , I2C0_SCL, CK_OUT |
| PA10 | 20 | I/O | 5VT | Default: PA10 Alternate: USART0_RX, TIMER0_CH2, TIMER16_BRKIN, I2C0_SDA |
| PA11 | 21 | I/O | 5VT | Default: PA11 Alternate: USART0_CTS, TIMER0_CH3, CMP_OUT, EVENTOUT, SPI1_IO2 ⁽⁵⁾ , I2C0_SMBA, I2C1_SCL ⁽⁵⁾ |
| PA12 | 22 | I/O | 5VT | Default: PA12 Alternate: USART0_RTS/USART0_DE, TIMER0_ETI, EVENTOUT, SPI1_IO3 ⁽⁵⁾ , I2C0_TXFRAME, I2C1_SDA ⁽⁵⁾ |
| PA13 | 23 | I/O | 5VT | Default: PA13/SWDIO Alternate: SWDIO, IFRP_OUT, SPI1_MISO ⁽⁵⁾ |
| PA14 | 24 | I/O | 5VT | Default: PA14/SWCLK Alternate: USART0_TX ⁽³⁾ , USART1_TX ⁽⁴⁾ , SWCLK, SPI1_MOSI ⁽⁵⁾ |
| PA15 | 25 | I/O | 5VT | Default: PA15 Alternate: SPI0_NSS, I2S0_WS, USART0_RX ⁽³⁾ , USART1_RX ⁽⁴⁾ , SPI1_NSS ⁽⁵⁾ , EVENTOUT |
| PB3 | 26 | I/O | 5VT | Default: PB3 Alternate: SPI0_SCK, I2S0_CK, EVENTOUT |
| PB4 | 27 | I/O | 5VT | Default: PB4 Alternate: SPI0_MISO, I2S0_MCK, TIMER2_CH0, EVENTOUT, I2C0_TXFRAME, TIMER16_BRKIN |
| PB5 | 28 | I/O | 5VT | Default: PB5 Alternate: SPI0_MOSI, I2S0_SD, I2C0_SMBA, TIMER15_BRKIN, TIMER2_CH1 Additional: WKUP5 |
| PB6 | 29 | I/O | 5VT | Default: PB6 Alternate: I2C0_SCL, USART0_TX, TIMER15_CH0_ON |
| PB7 | 30 | I/O | 5VT | Default: PB7 Alternate: I2C0_SDA, USART0_RX, TIMER16_CH0_ON |
| BOOT0 | 31 | I | | Default: BOOT0 |
| PB8 | 32 | I/O | 5VT | Default: PB8 |

| GD32E230Kx QFN32 | | | | |
|------------------|------|-------------------------|--------------------------|----------------------------------|
| Pin Name | Pins | Pin Type ⁽¹⁾ | I/O Level ⁽²⁾ | Functions description |
| | | | | Alternate: I2C0_SCL, TIMER15_CH0 |

Notes:

- (1) Type: I = input, O = output, P = power.
- (2) I/O Level: 5VT = 5 V tolerant.
- (3) Functions are available on GD32E230K4 devices only.
- (4) Functions are available on GD32E230K8/6 devices.
- (5) Functions are available on GD32E230K8 devices only.

2.6.5 GD32E230Gx QFN28 pin definitions

Table 2-9. GD32E230Gx QFN28 pin definitions

| GD32E230Gx QFN28 | | | | |
|------------------|------|-------------------------|--------------------------|---------------------------------------------------------------------------------------------------------------------------------------------------------------------------------------------------------------|
| Pin Name | Pins | Pin Type ⁽¹⁾ | I/O Level ⁽²⁾ | Functions description |
| BOOT0 | 1 | I | | Default: BOOT0 |
| PF0/OSCIN | 2 | I/O | 5VT | Default: PF0 Alternate: I2C0_SDA Additional: OSCIN |
| PF1/OSCOU T | 3 | I/O | 5VT | Default: PF1 Alternate: I2C0_SCL Additional: OSCOUT |
| NRST | 4 | I/O | | Default: NRST |
| VDDA | 5 | P | | Default: VDDA |
| PA0-WKUP | 6 | I/O | | Default: PA0 Alternate: USART0_CTS ⁽³⁾ , USART1_CTS ⁽⁴⁾ , CMP_OUT, I2C1_SCL ⁽⁵⁾ Additional: ADC_IN0, CMP_IM6, RTC_TAMP1, WKUP0 |
| PA1 | 7 | I/O | | Default: PA1 Alternate: USART0_RTS/USART0_DE ⁽³⁾ , USART1_RTS/USART1_DE ⁽⁴⁾ , I2C1_SDA ⁽⁵⁾ , EVENTOUT, TIMER14_CH0_ON ⁽⁵⁾ Additional: ADC_IN1, CMP_IP |
| PA2 | 8 | I/O | | Default: PA2 Alternate: USART0_TX ⁽³⁾ , USART1_TX ⁽⁴⁾ , TIMER14_CH0 ⁽⁵⁾ Additional: ADC_IN2, CMP_IM7 |
| PA3 | 9 | I/O | | Default: PA3 Alternate: USART0_RX ⁽³⁾ , USART1_RX ⁽⁴⁾ , TIMER14_CH1 ⁽⁵⁾ Additional: ADC_IN3 |
| PA4 | 10 | I/O | | Default: PA4 Alternate: SPI0_NSS, I2S0_WS, USART0_CK ⁽³⁾ , USART1_CK ⁽⁴⁾ , TIMER13_CH0, SPI1_NSS ⁽⁵⁾ |

| GD32E230Gx QFN28 | | | | |
|---------------------|------|-------------------------|--------------------------|-----------------------------------------------------------------------------------------------------------------------------------------|
| Pin Name | Pins | Pin Type ⁽¹⁾ | I/O Level ⁽²⁾ | Functions description |
| | | | | Additional: ADC_IN4, CMP_IM4 |
| PA5 | 11 | I/O | | Default: PA5 Alternate: SPI0_SCK, I2S0_CK Additional: ADC_IN5, CMP_IM5 |
| PA6 | 12 | I/O | | Default: PA6 Alternate: SPI0_MISO, I2S0_MCK, TIMER2_CH0, TIMER0_BRKIN, TIMER15_CH0, EVENTOUT, CMP_OUT Additional: ADC_IN6 |
| PA7 | 13 | I/O | | Default: PA7 Alternate: SPI0_MOSI, I2S0_SD, TIMER2_CH1, TIMER13_CH0, TIMER0_CH0_ON, TIMER16_CH0, EVENTOUT Additional: ADC_IN7 |
| PB0 | 14 | I/O | | Default: PB0 Alternate: TIMER2_CH2, TIMER0_CH1_ON, USART1_RX ⁽⁴⁾ , EVENTOUT Additional: ADC_IN8 |
| PB1 | 15 | I/O | | Default: PB1 Alternate: TIMER2_CH3, TIMER13_CH0, TIMER0_CH2_ON, SPI1_SCK ⁽⁵⁾ Additional: ADC_IN9 |
| VSS | 16 | P | | Default: VSS |
| VDD | 17 | P | | Default: VDD |
| PA8 | 18 | I/O | 5VT | Default: PA8 Alternate: USART0_CK, TIMER0_CH0, CK_OUT, USART1_TX ⁽⁴⁾ , EVENTOUT |
| PA9 ⁽⁶⁾ | 19 | I/O | 5VT | Default: PA9 Alternate: USART0_TX, TIMER0_CH1, TIMER14_BRKIN ⁽⁵⁾ , I2C0_SCL, CK_OUT |
| PA10 ⁽⁶⁾ | 20 | I/O | 5VT | Default: PA10 Alternate: USART0_RX, TIMER0_CH2, TIMER16_BRKIN, I2C0_SDA |
| PA13 | 21 | I/O | 5VT | Default: PA13/SWDIO Alternate: SWDIO, IFRP_OUT, SPI1_MISO ⁽⁵⁾ |
| PA14 | 22 | I/O | 5VT | Default: PA14/SWCLK Alternate: USART0_TX ⁽³⁾ , USART1_TX ⁽⁴⁾ , SWCLK, SPI1_MOSI ⁽⁵⁾ |
| PA15 | 23 | I/O | 5VT | Default: PA15 Alternate: SPI0_NSS, I2S0_WS, USART0_RX ⁽³⁾ , USART1_RX ⁽⁴⁾ , SPI1_NSS ⁽⁵⁾ , EVENTOUT |
| PB3 | 24 | I/O | 5VT | Default: PB3 Alternate: SPI0_SCK, I2S0_CK, EVENTOUT |
| PB4 | 25 | I/O | 5VT | Default: PB4 |

| GD32E230Gx QFN28 | | | | |
|------------------|------|-------------------------|--------------------------|----------------------------------------------------------------------------------------------------------|
| Pin Name | Pins | Pin Type ⁽¹⁾ | I/O Level ⁽²⁾ | Functions description |
| | | | | Alternate: SPI0_MISO, I2S0_MCK, TIMER2_CH0, EVENTOUT, I2C0_TXFRAME, TIMER16_BRKIN |
| PB5 | 26 | I/O | 5VT | Default: PB5 Alternate: SPI0_MOSI, I2S0_SD, I2C0_SMBA, TIMER15_BRKIN, TIMER2_CH1 Additional: WKUP5 |
| PB6 | 27 | I/O | 5VT | Default: PB6 Alternate: I2C0_SCL, USART0_TX, TIMER15_CH0_ON |
| PB7 | 28 | I/O | 5VT | Default: PB7 Alternate: I2C0_SDA, USART0_RX, TIMER16_CH0_ON |

Notes:

- (1) Type: I = input, O = output, P = power.
- (2) I/O Level: 5VT = 5 V tolerant.
- (3) Functions are available on GD32E230G4 devices only.
- (4) Functions are available on GD32E230G8/6 devices.
- (5) Functions are available on GD32E230G8 devices only.
- (6) Pin pair PA11/PA12 can be remapped instead of pin pair PA9/PA10 using SYSCFG_CFG0 register. [Table 2-13. Port A alternate functions summary](#) shows PA11/PA12 remap.

2.6.6 GD32E230Ex TSSOP24 pin definitions

Table 2-10. GD32E230Ex TSSOP24 pin definitions

| Pin Name | Pins | Pin Type ⁽¹⁾ | I/O Level ⁽²⁾ | Functions description |
|----------|------|-------------------------|--------------------------|----------------------------------------------------------------------------------------------------------------|
| VDDA | 1 | P | | Default: VDDA |
| PA0-WKUP | 2 | I/O | | Default: PA0 Alternate: USART1_CTS, CMP_OUT, I2C1_SCL Additional: ADC_IN0, CMP_IM6, RTC_TAMP1, WKUP0 |
| PA1 | 3 | I/O | | Default: PA1 Alternate: USART1_RTS/USART1_DE, I2C1_SDA, EVENTOUT Additional: ADC_IN1, CMP_IP |
| PA2 | 4 | I/O | | Default: PA2 Alternate: USART1_TX Additional: ADC_IN2, CMP_IM7 |
| PA3 | 5 | I/O | | Default: PA3 Alternate: USART1_RX Additional: ADC_IN3 |
| PA4 | 6 | I/O | | Default: PA4 Alternate: SPI0_NSS, I2S0_WS, USART1_CK, TIMER13_CH0, SPI1_NSS Additional: ADC_IN4, CMP_IM4 |

| Pin Name | Pins | Pin Type ⁽¹⁾ | I/O Level ⁽²⁾ | Functions description |
|---------------------|------|-------------------------|--------------------------|-------------------------------------------------------------------------------------------------------------------------------------|
| PA5 | 7 | I/O | | Default: PA5 Alternate: SPI0_SCK, I2S0_CK Additional: ADC_IN5, CMP_IM5 |
| PA6 | 8 | I/O | | Default: PA6 Alternate: SPI0_MISO, I2S0_MCK, TIMER2_CH0, TIMER0_BRKIN, TIMER15_CH0, EVENTOUT, CMP_OUT Additional: ADC_IN6 |
| PA7 | 9 | I/O | | Default: PA7 Alternate: SPI0_MOSI, I2S0_SD, TIMER2_CH1, TIMER13_CH0, TIMER0_CH0_ON, TIMER16_CH0, EVENTOUT Additional: ADC_IN7 |
| PB0 | 10 | I/O | | Default: PB0 Alternate: TIMER2_CH2, TIMER0_CH1_ON, USART1_RX, EVENTOUT Additional: ADC_IN8 |
| VSS | 11 | P | | Default: VSS |
| VDD | 12 | P | | Default: VDD |
| PB1 | 13 | I/O | | Default: PB1 Alternate: TIMER2_CH3, TIMER13_CH0, TIMER0_CH2_ON, SPI1_SCK Additional: ADC_IN9 |
| PA8 | 14 | I/O | 5VT | Default: PA8 Alternate: USART0_CK, TIMER0_CH0, CK_OUT, USART1_TX, EVENTOUT |
| PA9 ⁽³⁾ | 15 | I/O | 5VT | Default: PA9 Alternate: USART0_TX, TIMER0_CH1, I2C0_SCL, CK_OUT |
| PA10 ⁽³⁾ | 16 | I/O | 5VT | Default: PA10 Alternate: USART0_RX, TIMER0_CH2, TIMER16_BRKIN, I2C0_SDA |
| PA13 | 17 | I/O | 5VT | Default: PA13/SWDIO Alternate: SWDIO, IFRP_OUT, SPI1_MISO |
| PA14 | 18 | I/O | 5VT | Default: PA14/SWCLK Alternate: USART1_TX, SWCLK, SPI1_MOSI |
| PB6 | 19 | I/O | 5VT | Default: PB6 Alternate: I2C0_SCL, USART0_TX, TIMER15_CH0_ON |
| PB7 | 20 | I/O | 5VT | Default: PB7 Alternate: I2C0_SDA, USART0_RX, TIMER16_CH0_ON |
| BOOT0 | 21 | I | | Default: BOOT0 |
| PF0/OSCIN | 22 | I/O | 5VT | Default: PF0 Alternate: I2C0_SDA Additional: OSCIN |

| Pin Name | Pins | Pin Type ⁽¹⁾ | I/O Level ⁽²⁾ | Functions description |
|----------------|------|-------------------------|--------------------------|-----------------------------------------------------------|
| PF1/OSCOU T | 23 | I/O | 5VT | Default: PF1 Alternate: I2C0_SCL Additional: OSCOUT |
| NRST | 24 | I/O | | Default: NRST |

Notes:

- (1) Type: I = input, O = output, P = power.
- (2) I/O Level: 5VT = 5 V tolerant.
- (3) Pin pair PA11/PA12 can be remapped instead of pin pair PA9/PA10 using SYSCFG_CFG0 register. [Table 2-13. Port A alternate functions summary](#) shows PA11/PA12 remap.

2.6.7 GD32E230Fx TSSOP20 pin definitions

Table 2-11. GD32E230Fx TSSOP20 pin definitions

| GD32E230Fx TSSOP20 | | | | |
|--------------------|------|-------------------------|--------------------------|--------------------------------------------------------------------------------------------------------------------------------------------------------------------------------|
| Pin Name | Pins | Pin Type ⁽¹⁾ | I/O Level ⁽²⁾ | Functions description |
| PF0/OSCIN | 2 | I/O | 5VT | Default: PF0 Alternate: I2C0_SDA Additional: OSCIN |
| PF1/OSCOU T | 3 | I/O | 5VT | Default: PF1 Alternate: I2C0_SCL Additional: OSCOUT |
| NRST | 4 | I/O | | Default: NRST |
| VDDA | 5 | P | | Default: VDDA |
| PA0-WKUP | 6 | I/O | | Default: PA0 Alternate: USART0_CTS ⁽³⁾ , USART1_CTS ⁽⁴⁾ , CMP_OUT, I2C1_SCL ⁽⁵⁾ Additional: ADC_IN0, CMP_IM6, RTC_TAMP1, WKUP0 |
| PA1 | 7 | I/O | | Default: PA1 Alternate: USART0_RTS/USART0_DE ⁽³⁾ , USART1_RTS/USART1_DE ⁽⁴⁾ , I2C1_SDA ⁽⁵⁾ , EVENTOUT Additional: ADC_IN1, CMP_IP |
| PA2 | 8 | I/O | | Default: PA2 Alternate: USART0_TX ⁽³⁾ , USART1_TX ⁽⁴⁾ Additional: ADC_IN2, CMP_IM7 |
| PA3 | 9 | I/O | | Default: PA3 Alternate: USART0_RX ⁽³⁾ , USART1_RX ⁽⁴⁾ Additional: ADC_IN3 |
| PA4 | 10 | I/O | | Default: PA4 Alternate: SPI0_NSS, I2S0_WS, USART0_CK ⁽³⁾ , USART1_CK ⁽⁴⁾ , TIMER13_CH0, SPI1_NSS ⁽⁵⁾ Additional: ADC_IN4, CMP_IM4 |

| GD32E230Fx TSSOP20 | | | | |
|---------------------|------|-------------------------|--------------------------|-------------------------------------------------------------------------------------------------------------------------------------|
| Pin Name | Pins | Pin Type ⁽¹⁾ | I/O Level ⁽²⁾ | Functions description |
| PA5 | 11 | I/O | | Default: PA5 Alternate: SPI0_SCK, I2S0_CK Additional: ADC_IN5, CMP_IM5 |
| PA6 | 12 | I/O | | Default: PA6 Alternate: SPI0_MISO, I2S0_MCK, TIMER2_CH0, TIMER0_BRKIN, TIMER15_CH0, EVENTOUT, CMP_OUT Additional: ADC_IN6 |
| PA7 | 13 | I/O | | Default: PA7 Alternate: SPI0_MOSI, I2S0_SD, TIMER2_CH1, TIMER13_CH0, TIMER0_CH0_ON, TIMER16_CH0, EVENTOUT Additional: ADC_IN7 |
| PB1 | 14 | I/O | | Default: PB1 Alternate: TIMER2_CH3, TIMER13_CH0, TIMER0_CH2_ON, SPI1_SCK ⁽⁵⁾ Additional: ADC_IN9 |
| VSS | 15 | P | | Default: VSS |
| VDD | 16 | P | | Default: VDD |
| PA9 ⁽⁶⁾ | 17 | I/O | 5VT | Default: PA9 Alternate: USART0_TX, TIMER0_CH1, I2C0_SCL, CK_OUT |
| PA10 ⁽⁶⁾ | 18 | I/O | 5VT | Default: PA10 Alternate: USART0_RX, TIMER0_CH2, TIMER16_BRKIN, I2C0_SDA |
| PA13 | 19 | I/O | 5VT | Default: PA13/SWDIO Alternate: SWDIO, IFRP_OUT, SPI1_MISO ⁽⁵⁾ |
| PA14 | 20 | I/O | 5VT | Default: PA14/SWCLK Alternate: USART0_TX ⁽³⁾ , USART1_TX ⁽⁴⁾ , SWCLK, SPI1_MOSI ⁽⁵⁾ |
| BOOT0 | 1 | I | | Default: BOOT0 |

Notes:

- (1) Type: I = input, O = output, P = power.
- (2) I/O Level: 5VT = 5 V tolerant.
- (3) Functions are available on GD32E230F4 devices only.
- (4) Functions are available on GD32E230F8/6 devices.
- (5) Functions are available on GD32E230F8 devices only.
- (6) Pin pair PA11/PA12 can be remapped instead of pin pair PA9/PA10 using SYSCFG_CFG0 register. [Table 2-13. Port A alternate functions summary](#) shows PA11/PA12 remap.

2.6.8 GD32E230Fx LGA20 pin definitions

Table 2-12. GD32E230Fx LGA20 pin definitions

| GD32E230Fx LGA20 | | | | |
|------------------|------|-------------------------|--------------------------|--------------------------------------------------------------------------------------------------------------------------------------------------------------------------------|
| Pin Name | Pins | Pin Type ⁽¹⁾ | I/O Level ⁽²⁾ | Functions description |
| PF0/OSCIN | 19 | I/O | 5VT | Default: PF0 Alternate: I2C0_SDA Additional: OSCIN |
| PF1/OSCOU T | 20 | I/O | 5VT | Default: PF1 Alternate: I2C0_SCL Additional: OSCOUT |
| NRST | 1 | I/O | | Default: NRST |
| VDDA | 2 | P | | Default: VDDA |
| PA0-WKUP | 3 | I/O | | Default: PA0 Alternate: USART0_CTS ⁽³⁾ , USART1_CTS ⁽⁴⁾ , CMP_OUT, I2C1_SCL ⁽⁵⁾ Additional: ADC_IN0, CMP_IM6, RTC_TAMP1, WKUP0 |
| PA1 | 4 | I/O | | Default: PA1 Alternate: USART0_RTS/USART0_DE ⁽³⁾ , USART1_RTS/USART1_DE ⁽⁴⁾ , I2C1_SDA ⁽⁵⁾ , EVENTOUT Additional: ADC_IN1, CMP_IP |
| PA2 | 5 | I/O | | Default: PA2 Alternate: USART0_TX ⁽³⁾ , USART1_TX ⁽⁴⁾ Additional: ADC_IN2, CMP_IM7 |
| PA3 | 6 | I/O | | Default: PA3 Alternate: USART0_RX ⁽³⁾ , USART1_RX ⁽⁴⁾ Additional: ADC_IN3 |
| PA4 | 7 | I/O | | Default: PA4 Alternate: SPI0_NSS, I2S0_WS, USART0_CK ⁽³⁾ , USART1_CK ⁽⁴⁾ , TIMER13_CH0, SPI1_NSS ⁽⁵⁾ Additional: ADC_IN4, CMP_IM4 |
| PA5 | 8 | I/O | | Default: PA5 Alternate: SPI0_SCK, I2S0_CK Additional: ADC_IN5, CMP_IM5 |
| PA6 | 9 | I/O | | Default: PA6 Alternate: SPI0_MISO, I2S0_MCK, TIMER2_CH0, TIMER0_BRKIN, TIMER15_CH0, EVENTOUT, CMP_OUT Additional: ADC_IN6 |
| PA7 | 10 | I/O | | Default: PA7 Alternate: SPI0_MOSI, I2S0_SD, TIMER2_CH1, TIMER13_CH0, TIMER0_CH0_ON, TIMER16_CH0, EVENTOUT Additional: ADC_IN7 |
| PB1 | 11 | I/O | | Default: PB1 |

| GD32E230Fx LGA20 | | | | |
|---------------------|------|-------------------------|--------------------------|----------------------------------------------------------------------------------------------------------------------------|
| Pin Name | Pins | Pin Type ⁽¹⁾ | I/O Level ⁽²⁾ | Functions description |
| | | | | Alternate: TIMER2_CH3, TIMER13_CH0, TIMER0_CH2_ON, SPI1_SCK ⁽⁵⁾ Additional: ADC_IN9 |
| VSS | 12 | P | | Default: VSS |
| VDD | 13 | P | | Default: VDD |
| PA9 ⁽⁶⁾ | 14 | I/O | 5VT | Default: PA9 Alternate: USART0_TX, TIMER0_CH1, I2C0_SCL, CK_OUT |
| PA10 ⁽⁶⁾ | 15 | I/O | 5VT | Default: PA10 Alternate: USART0_RX, TIMER0_CH2, TIMER16_BRKIN, I2C0_SDA |
| PA13 | 16 | I/O | 5VT | Default: PA13/SWDIO Alternate: SWDIO, IFRP_OUT, SPI1_MISO ⁽⁵⁾ |
| PA14 | 17 | I/O | 5VT | Default: PA14/SWCLK Alternate: USART0_TX ⁽³⁾ , USART1_TX ⁽⁴⁾ , SWCLK, SPI1_MOSI ⁽⁵⁾ |
| BOOT0 | 18 | I | | Default: BOOT0 |

Notes:

- (1) Type: I = input, O = output, P = power.
- (2) I/O Level: 5VT = 5 V tolerant.
- (3) Functions are available on GD32E230F4 devices only.
- (4) Functions are available on GD32E230F8/6 devices.
- (5) Functions are available on GD32E230F8 devices only.
- (6) Pin pair PA11/PA12 can be remapped instead of pin pair PA9/PA10 using SYSCFG_CFG0 register. [Table 2-13. Port A alternate functions summary](#) shows PA11/PA12 remap.

2.6.9 GD32E230xx pin alternate functions

Table 2-13. Port A alternate functions summary

| Pin Name | AF0 | AF1 | AF2 | AF3 | AF4 | AF5 | AF6 | AF7 |
|----------|------------------------------|------------------------------------------------------------------------------------------------------------------|---------------|-----------|--------------------------|-------------------------------|--------------------------|---------|
| PA0 | | USART0_CTS ⁽¹⁾ /USART1_CTS ⁽²⁾ | | | I2C1_SCL ⁽³⁾ | | | CMP_OUT |
| PA1 | EVENTOUT | USART0_RTS ⁽¹⁾ /USART0_DE ⁽¹⁾ USART1_RTS ⁽²⁾ /USART1_DE ⁽²⁾ | | | I2C1_SDA ⁽³⁾ | TIMER14_CH0_ON ⁽³⁾ | | |
| PA2 | TIMER14_CH0 ⁽³⁾ | USART0_TX ⁽¹⁾ USART1_TX ⁽²⁾ | | | | | | |
| PA3 | TIMER14_CH1 ⁽³⁾ | USART0_RX ⁽¹⁾ USART1_RX ⁽²⁾ | | | | | | |
| PA4 | SPI0_NSS/I2S0_WS | USART0_CK ⁽¹⁾ USART1_CK ⁽²⁾ | | | TIMER13_CH0 | | SPI1_NSS ⁽³⁾ | |
| PA5 | SPI0_SCK/I2S0_CK | | | | | | | |
| PA6 | SPI0_MISO/I2S0_MCK | TIMER2_CH0 | TIMER0_BRKIN | | | TIMER15_CH0 | EVENT_OUT | CMP_OUT |
| PA7 | SPI0_MOSI/I2S0_SD | TIMER2_CH1 | TIMER0_CH0_ON | | TIMER13_CH0 | TIMER16_CH0 | EVENT_OUT | |
| PA8 | CK_OUT | USART0_CK | TIMER0_CH0 | EVENT_OUT | USART1_TX ⁽²⁾ | | | |
| PA9 | TIMER14_BRKIN ⁽³⁾ | USART0_TX | TIMER0_CH1 | | I2C0_SCL | CK_OUT | | |
| PA10 | TIMER16_BRKIN | USART0_RX | TIMER0_CH2 | | I2C0_SDA | | | |
| PA11 | EVENTOUT | USART0_CTS | TIMER0_CH3 | | I2C0_SMB_A | I2C1_SCL ⁽³⁾ | SPI1_I/O2 ⁽³⁾ | CMP_OUT |
| PA12 | EVENTOUT | USART0_RTS/USART0_DE | TIMER0_ETI | | I2C0_TXF_RAME | I2C1_SDA ⁽³⁾ | SPI1_I/O3 ⁽³⁾ | |
| PA13 | SWDIO | IFRP_OUT | | | | | SPI1_MISO ⁽³⁾ | |
| PA14 | SWCLK | USART0_TX ⁽¹⁾ USART1_TX ⁽²⁾ | | | | | SPI1_MOSI ⁽³⁾ | |
| PA15 | SPI0_NSS/I2S0_WS | USART0_RX ⁽¹⁾ USART1_RX ⁽²⁾ | | EVENT_OUT | | | SPI1_NSS ⁽³⁾ | |

Table 2-14. Port B alternate functions summary

| Pin Name | AF0 | AF1 | AF2 | AF3 | AF4 | AF5 | AF6 | AF7 |
|----------|----------------------------------------------------|--------------------------------------------------|----------------|-------------------------------|--------------------------|-------------------------|-------------------------|-------------------------|
| PB0 | EVENTOUT | TIMER2_CH2 | TIMER0_CH1_ON | | USART1_RX ⁽²⁾ | | | |
| PB1 | TIMER13_CH0 | TIMER2_CH3 | TIMER0_CH2_ON | | | | SPI1_SCK ⁽³⁾ | |
| PB2 | | TIMER2_ETI | | | | | | |
| PB3 | SPI0_SCK/I2S0_S0_CK | EVENTOUT | | | | | | |
| PB4 | SPI0_MISO/I2S0_MCK | TIMER2_CH0 | EVENTOUT | | I2C0_TX FRAME | | TIMER16_BRKIN | |
| PB5 | SPI0_MOSI/I2S0_SD | TIMER2_CH1 | TIMER15_BRKIN | I2C0_SMBA | | | | |
| PB6 | USART0_TX | I2C0_SCL | TIMER15_CH0_ON | | | | | |
| PB7 | USART0_RX | I2C0_SDA | TIMER16_CH0_ON | | | | | |
| PB8 | | I2C0_SCL | TIMER15_CH0 | | | | | |
| PB9 | IFRP_OUT | I2C0_SDA | TIMER16_CH0 | EVENTOUT | | I2S0_MCK | | SPI1_NSS ⁽³⁾ |
| PB10 | | I2C0_SCL ⁽¹⁾ /I2C1_SCL ⁽³⁾ | | | | | SPI1_IO2 ⁽³⁾ | SPI1_SCK ⁽³⁾ |
| PB11 | EVENTOUT | I2C0_SDA ⁽¹⁾ /I2C1_SDA ⁽³⁾ | | | | | SPI1_IO3 ⁽³⁾ | |
| PB12 | SPI0_NSS ⁽¹⁾ /SPI1_NSS ⁽³⁾ | EVENTOUT | TIMER0_BRKIN | | I2C1_SMBA ⁽³⁾ | | | |
| PB13 | SPI0_SCK ⁽¹⁾ /SPI1_SCK ⁽³⁾ | I2C1_TXFRAME ⁽³⁾ | TIMER0_CH0_ON | | | I2C1_SCL ⁽³⁾ | | |
| PB14 | SPI0_MISO ⁽¹⁾ /SPI1_MISO ⁽³⁾ | TIMER14_CH0 ⁽³⁾ | TIMER0_CH1_ON | | | I2C1_SDA ⁽³⁾ | | |
| PB15 | SPI0_MOSI ⁽¹⁾ /SPI1_MOSI ⁽³⁾ | TIMER14_CH1 ⁽³⁾ | TIMER0_CH2_ON | TIMER14_CH0_ON ⁽³⁾ | | | | |

Table 2-15. Port F alternate functions summary

| Pin Name | AF0 | AF1 | AF2 | AF3 | AF4 | AF5 | AF6 |
|----------|-----------------------------------|----------|-----|-----|-----|-----|-----|
| PF0 | | I2C0_SDA | | | | | |
| PF1 | | I2C0_SCL | | | | | |
| PF6 | I2C0_SCL ⁽¹⁾ /I2C1_SCL | | | | | | |

| Pin Name | AF0 | AF1 | AF2 | AF3 | AF4 | AF5 | AF6 |
|----------|-------------------------|-----|-----|-----|-----|-----|-----|
| | (3) | | | | | | |
| PF7 | I2C0_SDA(1)/I2C1_SDA(3) | | | | | | |

Notes:

- (1) Functions are available on GD32E230x4 devices only.
- (2) Functions are available on GD32E230x8/6 devices.
- (3) Functions are available on GD32E230x8 devices only.

3 Functional description

3.1 ARM® Cortex®-M23 core

The Cortex-M23 processor is an energy-efficient processor with a very low gate count. It is intended to be used for microcontroller and deeply embedded applications that require an area-optimized processor. The processor is highly configurable enabling a wide range of implementations from those requiring memory protection to cost sensitive devices requiring minimal area, while delivering outstanding computational performance and an advanced system response to interrupts.

32-bit ARM® Cortex®-M23 processor core

- Up to 72 MHz operation frequency
- Single-cycle multiplication and hardware divider
- Ultra-low power, energy-efficient operation
- Excellent code density
- Integrated Nested Vectored Interrupt Controller (NVIC)
- 24-bit SysTick timer

The Cortex®-M23 processor is based on the ARMv8-M architecture and supports both Thumb and Thumb-2 instruction sets. Some system peripherals listed below are also provided by Cortex®-M23:

- Internal Bus Matrix connected with AHB master, Serial Wire Debug Port and Single-cycle IO port
- Nested Vectored Interrupt Controller (NVIC)
- Breakpoint Unit(BPU)
- Data Watchpoint
- Serial Wire Debug Port

3.2 Embedded memory

- Up to 64 Kbytes of Flash memory
- Up to 8 Kbytes of SRAM with hardware parity checking

64 Kbytes of inner Flash and 8 Kbytes of inner SRAM at most is available for storing programs and data, and Flash is accessed (read) at CPU clock speed with 0~2 wait states. [Table 2-4. GD32E230xx memory map](#) shows the memory map of the GD32E230xx series of devices, including code, SRAM, peripheral, and other pre-defined regions.

3.3 Clock, reset and supply management

- Internal 8 MHz factory-trimmed RC and external 4 to 32 MHz crystal oscillator

- Internal 28 MHz RC oscillator
- Internal 40 KHz RC calibrated oscillator and external 32.768 KHz crystal oscillator
- Integrated system clock PLL
- 1.8 to 3.6 V application supply and I/Os
- Supply Supervisor: POR (Power On Reset), PDR (Power Down Reset), and low voltage detector (LVD)

The Clock Control Unit (CCU) provides a range of oscillator and clock functions. These include speed internal RC oscillator and external crystal oscillator, high speed and low speed two types. Several prescalers allow the frequency configuration of the AHB and two APB domains. The maximum frequency of the AHB, APB2 and APB1 domains is 72 MHz/72 MHz/72 MHz. See [Figure 2-10. GD32E230xx clock tree](#) for details on the clock tree.

The Reset Control Unit (RCU) controls three kinds of reset: system reset resets the processor core and peripheral IP components. Power-on reset (POR) and power-down reset (PDR) are always active, and ensures proper operation starting from 1.71 V and down to 1.67 V. The device remains in reset mode when V_{DD} is below a specified threshold. The embedded low voltage detector (LVD) monitors the power supply, compares it to the voltage threshold and generates an interrupt as a warning message for leading the MCU into security.

Power supply schemes:

- V_{DD} range: 1.8 to 3.6 V, external power supply for I/Os and the internal regulator. Provided externally through V_{DD} pins.
- V_{SSA} , V_{DDA} range: 1.8 to 3.6 V, external analog power supplies for ADC, reset blocks, RCs and PLL. V_{DDA} and V_{SSA} must be connected to V_{DD} and V_{SS} , respectively.
- V_{BAK} range: 1.8 to 3.6 V, power supply for RTC, external clock 32 KHz oscillator and backup registers (through power switch) when V_{DD} is not present.

3.4 Boot modes

At startup, boot pins are used to select one of three boot options:

- Boot from main Flash memory (default)
- Boot from system memory
- Boot from on-chip SRAM

In default condition, boot from main Flash memory is selected. The boot loader is located in the internal boot ROM memory (system memory). It is used to reprogram the Flash memory by using USART0 (PA9 and PA10) or USART1 (PA14 and PA15 or PA2 and PA3).

3.5 Power saving modes

The MCU supports three kinds of power saving modes to achieve even lower power consumption. They are sleep mode, deep-sleep mode, and standby mode. These operating modes reduce the power consumption and allow the application to achieve the best balance

between the CPU operating time, speed and power consumption.

- **Sleep mode**

In sleep mode, only the clock of CPU core is off. All peripherals continue to operate and any interrupt/event can wake up the system.

- **Deep-sleep mode**

In deep-sleep mode, all clocks in the 1.2V domain are off, and all of the high speed crystal oscillator (IRC8M, HXTAL) and PLL are disabled. Only the contents of SRAM and registers are retained. Any interrupt or wakeup event from EXTI lines can wake up the system from the deep-sleep mode including the 16 external lines, the RTC alarm, RTC tamper and timestamp, CMP output, LVD output and USART wakeup. When exiting the deep-sleep mode, the IRC8M is selected as the system clock.

- **Standby mode**

In standby mode, the whole 1.2V domain is power off, the LDO is shut down, and all of IRC8M, HXTAL and PLL are disabled. The contents of SRAM and registers (except backup registers) are lost. There are four wakeup sources for the standby mode, including the external reset from NRST pin, the RTC alarm, the FWDGT reset, and the rising edge on WKUP pin.

3.6 Analog to digital converter (ADC)

- 12-bit SAR ADC's conversion rate is up to 2 MSPS
- 12-bit, 10-bit, 8-bit or 6-bit configurable resolution
- Hardware oversampling ratio adjustable from 2 to 256x improves resolution to 16-bit
- Input voltage range: V_{SSA} to V_{DDA}
- Temperature sensor

One 12-bit 2 MSPS multi-channel ADC is integrated in the device. It has a total of 12 multiplexed channels: up to 10 external channels, 1 channel for internal temperature sensor (V_{SENSE}) and 1 channel for internal reference voltage (V_{REFINT}). The input voltage range is between V_{SSA} and V_{DDA} . An on-chip hardware oversampling scheme improves performance while off-loading the related computational burden from the CPU. An analog watchdog block can be used to detect the channels, which are required to remain within a specific threshold window. A configurable channel management block can be used to perform conversions in single, continuous, scan or discontinuous mode to support more advanced use.

The ADC can be triggered from the events generated by the general level 0 timers (TIMERx) and the advanced timer (TIMER0) with internal connection. The temperature sensor can be used to generate a voltage that varies linearly with temperature. It is internally connected to the ADC_IN16 input channel which is used to convert the sensor output voltage in a digital value.

3.7 DMA

- 5 channels DMA controller
- Peripherals supported: Timers, ADC, SPIs, I2Cs, USARTs and I2S

The flexible general-purpose DMA controllers provide a hardware method of transferring data between peripherals and/or memory without intervention from the CPU, thereby freeing up bandwidth for other system functions. Three types of access method are supported: peripheral to memory, memory to peripheral, memory to memory.

Each channel is connected to fixed hardware DMA requests. The priorities of DMA channel requests are determined by software configuration and hardware channel number. Transfer size of source and destination are independent and configurable.

3.8 General-purpose inputs/outputs (GPIOs)

- Up to 39 fast GPIOs, all mappable on 16 external interrupt lines
- Analog input/output configurable
- Alternate function input/output configurable

There are up to 39 general purpose I/O pins (GPIO) in GD32E230xx, named PA0 ~ PA15 and PB0 ~ PB15, PC13 ~ PC15, PF0 ~ PF1, PF6 ~ PF7 to implement logic input/output functions. Each of the GPIO ports has related control and configuration registers to satisfy the requirements of specific applications. The external interrupts on the GPIO pins of the device have related control and configuration registers in the Interrupt/event controller (EXTI). The GPIO ports are pin-shared with other alternative functions (AFs) to obtain maximum flexibility on the package pins. Each of the GPIO pins can be configured by software as output (push-pull open-drain or analog), as input (with or without pull-up or pull-down) or as peripheral alternate function. Most of the GPIO pins are shared with digital or analog alternate functions. All GPIOs are high-current capable except for analog inputs.

3.9 Timers and PWM generation

- One 16-bit advanced timer (TIMER0), up to five 16-bit general timers (TIMER2, TIMER13 ~ TIMER16), and one 16-bit basic timer (TIMER5)
- Up to 4 independent channels of PWM, output compare or input capture for each general timer and external trigger input
- 16-bit, motor control PWM advanced timer with programmable dead-time generation for output match
- Encoder interface controller with two inputs using quadrature decoder
- 24-bit SysTick timer down counter
- 2 watchdog timers (free watchdog timer and window watchdog timer)

The advanced timer (TIMER0) can be used as a three-phase PWM multiplexed on 6 channels.

It has complementary PWM outputs with programmable dead-time generation. It can also be used as a complete general timer. The 4 independent channels can be used for input capture, output compare, PWM generation (edge- or center- aligned counting modes) and single pulse mode output. If configured as a general 16-bit timer, it has the same functions as the TIMEx timer. It can be synchronized with external signals or to interconnect with other general timers together which have the same architecture and features.

The general timer can be used for a variety of purposes including general time, input signal pulse width measurement or output waveform generation such as a single pulse generation or PWM output, up to 4 independent channels for input capture/output compare. TIMER2 is based on a 16-bit auto-reload up/down counter and a 16-bit prescaler. TIMER13 ~ TIMER16 is based on a 16-bit auto-reload up counter and a 16-bit prescaler. The general timer also supports an encoder interface with two inputs using quadrature decoder.

The basic timer, known as TIMER5 can also be used as a simple 16-bit time base.

The GD32E230xx have two watchdog peripherals, free watchdog and window watchdog. They offer a combination of high safety level, flexibility of use and timing accuracy.

The free watchdog timer includes a 12-bit down-counting counter and an 8-bit prescaler. It is clocked from an independent 40 KHz internal RC and as it operates independently of the main clock, it can operate in deep-sleep and standby modes. It can be used either as a watchdog to reset the device when a problem occurs, or as a free-running timer for application timeout management.

The window watchdog is based on a 7-bit down counter that can be set as free-running. It can be used as a watchdog to reset the device when a problem occurs. It is clocked from the main clock. It has an early wakeup interrupt capability and the counter can be frozen in debug mode.

The SysTick timer is dedicated for OS, but could also be used as a standard down counter. The features are shown below:

- A 24-bit down counter
- Auto reload capability
- Maskable system interrupt generation when the counter reaches 0
- Programmable clock source

3.10 Real time clock (RTC)

- Independent binary-coded decimal (BCD) format timer/counter with five 32-bit backup registers.
- Calendar with subsecond, second, minute, hour, week day, date, year and month automatically correction
- Alarm function with wake up from deep-sleep and standby mode capability
- On-the-fly correction for synchronization with master clock. Digital calibration with 0.954 ppm resolution for compensation of quartz crystal inaccuracy.

The real time clock is an independent timer which provides a set of continuously running counters in backup registers to provide a real calendar function, and provides an alarm interrupt or an expected interrupt. It is not reset by a system or power reset, or when the device wakes up from standby mode. In the RTC unit, there are two prescalers used for implementing the calendar and other functions. One prescaler is a 7-bit asynchronous prescaler and the other is a 15-bit synchronous prescaler.

3.11 Inter-integrated circuit (I2C)

- Up to two I2C bus interfaces can support both master and slave mode with a frequency up to 1 MHz (Fast mode plus)
- Provide arbitration function, optional PEC (packet error checking) generation and checking
- Supports 7-bit and 10-bit addressing mode and general call addressing mode
- Supports SAM_V mode

The I2C interface is an internal circuit allowing communication with an external I2C interface which is an industry standard two line serial interface used for connection to external hardware. These two serial lines are known as a serial data line (SDA) and a serial clock line (SCL). The I2C module provides different data transfer rates: up to 100 KHz in standard mode, up to 400 KHz in the fast mode and up to 1 MHz in the fast mode plus. The I2C module also has an arbitration detect function to prevent the situation where more than one master attempts to transmit data to the I2C bus at the same time. A CRC-8 calculator is also provided in I2C interface to perform packet error checking for I2C data.

3.12 Serial peripheral interface (SPI)

- Up to two SPI interfaces with a frequency of up to 18 MHz
- Support both master and slave mode
- Hardware CRC calculation and transmit automatic CRC error checking
- Separate transmit and receive 32-bit FIFO with DMA capability (only in SPI1)
- Data frame size can be 4 to 16 bits (only in SPI1)
- Quad-SPI configuration available in master mode (only in SPI1)

The SPI interface uses 4 pins, among which are the serial data input and output lines (MISO & MOSI), the clock line (SCK) and the slave select line (NSS). Both SPIs can be served by the DMA controller. The SPI interface may be used for a variety of purposes, including simplex synchronous transfers on two lines with a possible bidirectional data line or reliable communication using CRC checking. Specially, SPI1 has separate transmit and receive 32-bit FIFO with DMA capability and its data frame size can be 4 to 16 bits. Quad-SPI master mode is also supported in SPI1.

3.13 Universal synchronous asynchronous receiver transmitter (USART)

- Up to two USARTs with operating frequency up to 4.5 Mbits/s
- Supports both asynchronous and clocked synchronous serial communication modes
- IrDA SIR encoder and decoder support
- LIN break generation and detection
- ISO 7816-3 compliant smart card interface

The USART (USART0, USART1) are used to translate data between parallel and serial interfaces, provides a flexible full duplex data exchange using synchronous or asynchronous transfer. It is also commonly used for RS-232 standard communication. The USART includes a programmable baud rate generator which is capable of dividing the system clock to produce a dedicated clock for the USART transmitter and receiver. The USART also supports DMA function for high speed data communication.

3.14 Inter-IC sound (I2S)

- One I2S bus Interfaces with sampling frequency from 8 KHz to 192 KHz, multiplexed with SPI0
- Support either master or slave mode

The Inter-IC sound (I2S) bus provides a standard communication interface for digital audio applications by 3-wire serial lines. GD32E230xx contain an I2S-bus interface that can be operated with 16/32 bit resolution in master or slave mode, pin multiplexed with SPI0. The audio sampling frequency from 8 KHz to 192 KHz is supported with less than 0.5% accuracy error.

3.15 Comparators (CMP)

- One fast rail-to-rail low-power comparators with software configurable
- Programmable reference voltage (internal or external I/O)

One Comparator (CMP) is implemented within the devices. It can wake up from deep-sleep mode to generate interrupts and breaks for the timers and also can be combined as a window comparator. The internal voltage reference is also connected to ADC_IN17 input channel of the ADC.

3.16 Debug mode

- Serial wire debug port

Debug capabilities can be accessed by a debug tool via Serial Wire (SW - Debug Port).

3.17 Package and operation temperature

- LQFP48 (GD32E230CxTx), LQFP32 (GD32E230KxTx), QFN48 (GD32E230CxUx); QFN32 (GD32E230KxUx), QFN28 (GD32E230GxUx), TSSOP24 (GD32E230ExPx), TSSOP20 (GD32E230FxFx) and LGA20 (GD32E230FxFxVx).
- Operation temperature range: -40°C to +85°C (industrial level) for grade 6 devices, and -40°C to +105°C (industrial level) for grade 7 devices.

4 Electrical characteristics

4.1 Absolute maximum ratings

The maximum ratings are the limits to which the device can be subjected without permanently damaging the device. Note that the device is not guaranteed to operate properly at the maximum ratings. Exposure to the absolute maximum rating conditions for extended periods may affect device reliability.

Table 4-1. Absolute maximum ratings⁽¹⁾⁽⁴⁾

| Symbol | Parameter | Min | Max | Unit |
|----------------------|--------------------------------------------------------------------------|-----------------|-----------------|------|
| V_{DD} | External voltage range ⁽²⁾ | $V_{SS} - 0.3$ | $V_{SS} + 3.6$ | V |
| V_{DDA} | External analog supply voltage | $V_{SSA} - 0.3$ | $V_{SSA} + 3.6$ | V |
| V_{IN} | Input voltage on 5V tolerant pin ⁽³⁾ | $V_{SS} - 0.3$ | $V_{DD} + 3.6$ | V |
| | Input voltage on other I/O | $V_{SS} - 0.3$ | 3.6 | V |
| $ \Delta V_{DDx} $ | Variations between different VDD power pins | — | 50 | mV |
| $ V_{SSx} - V_{SS} $ | Variations between different ground pins | — | 50 | mV |
| I_{IO} | Maximum current for GPIO pins | — | ± 25 | mA |
| T_A | Operating temperature range for grade 6 device | -40 | +85 | °C |
| | Operating temperature range for grade 7 device | -40 | +105 | |
| P_D | Power dissipation at $T_A = 85^\circ\text{C}$ of LQFP48 ⁽⁵⁾ | — | 574 | mW |
| | Power dissipation at $T_A = 85^\circ\text{C}$ of QFN48 ⁽⁵⁾ | — | 1044 | |
| | Power dissipation at $T_A = 85^\circ\text{C}$ of LQFP32 ⁽⁵⁾ | — | 724 | |
| | Power dissipation at $T_A = 85^\circ\text{C}$ of QFN32 ⁽⁵⁾ | — | 939 | |
| | Power dissipation at $T_A = 85^\circ\text{C}$ of QFN28 ⁽⁵⁾ | — | 845 | |
| | Power dissipation at $T_A = 85^\circ\text{C}$ of TSSOP24 | — | 601 | |
| | Power dissipation at $T_A = 85^\circ\text{C}$ of TSSOP20 ⁽⁵⁾ | — | 595 | |
| | Power dissipation at $T_A = 85^\circ\text{C}$ of LGA20 ⁽⁵⁾ | — | 416 | |
| | Power dissipation at $T_A = 105^\circ\text{C}$ of LGA20 ⁽⁵⁾ | — | 208 | |
| | Power dissipation at $T_A = 105^\circ\text{C}$ of LQFP48 ⁽⁵⁾ | — | 287 | |
| | Power dissipation at $T_A = 105^\circ\text{C}$ of TSSOP20 ⁽⁵⁾ | — | 297 | |
| T_{STG} | Storage temperature range | -65 | +150 | °C |
| T_J | Maximum junction temperature | — | 125 | °C |

(1) Guaranteed by design, not tested in production.

(2) All main power and ground pins should be connected to an external power source within the allowable range.

(3) V_{IN} maximum value cannot exceed 5.5 V.

(4) It is recommended that V_{DD} and V_{DDA} are powered by the same source. The maximum difference between V_{DD} and V_{DDA} does not exceed 300 mV during power-up and operation.

(5) For grade 6 devices, the parameter of $T_A = 85^\circ\text{C}$, For grade 7 device, the parameter of $T_A = 105^\circ\text{C}$.

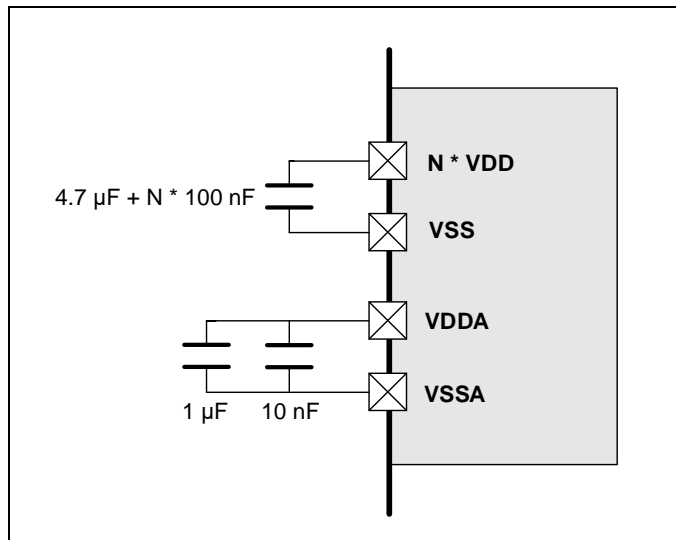
4.2 Operating conditions characteristics

Table 4-2. DC operating conditions

| Symbol | Parameter | Conditions | Min ⁽¹⁾ | Typ | Max ⁽¹⁾ | Unit |
|------------------|------------------------------------|------------|--------------------|-----|--------------------|------|
| V _{DD} | Supply voltage | — | 1.8 | 3.3 | 3.6 | V |
| V _{DDA} | Analog supply voltage ADC not used | — | 1.8 | 3.3 | 3.6 | V |
| | Analog supply voltage ADC used | | 2.4 | 3.3 | 3.6 | |

(1) Based on characterization, not tested in production.

Figure 4-1. Recommended power supply decoupling capacitors⁽¹⁾⁽²⁾



(1) More details refer to **AN074 GD32E23x Hardware Development Guide**.

(2) All decoupling capacitors need to be as close as possible to the pins on the PCB board.

Table 4-3. Clock frequency⁽¹⁾

| Symbol | Parameter | Conditions | Min | Max | Unit |
|--------------------|----------------------|------------|-----|-----|------|
| f _{HCLK1} | AHB1 clock frequency | — | 0 | 72 | MHz |
| f _{HCLK2} | AHB2 clock frequency | — | 0 | 72 | MHz |
| f _{APB1} | APB1 clock frequency | — | 0 | 72 | MHz |
| f _{APB2} | APB2 clock frequency | — | 0 | 72 | MHz |

(1) Guaranteed by design, not tested in production.

Table 4-4. Operating conditions at Power up/ Power down⁽¹⁾

| Symbol | Parameter | Conditions | Min | Max | Unit |
|------------------|--------------------------------|------------|-----|-----|--------|
| t _{VDD} | V _{DD} rise time rate | — | 0 | ∞ | μs / V |
| | V _{DD} fall time rate | | 20 | ∞ | |

(1) Guaranteed by design, not tested in production.

Table 4-5. Start-up timings of Operating conditions⁽¹⁾

| Symbol | Parameter | Conditions | Typ | Unit |
|-----------------------|---------------|-------------------------|-----|------|
| t _{start-up} | Start-up time | Clock source from HXTAL | 432 | μs |
| | | Clock source from IRC8M | 76 | |

(1) Based on characterization, not tested in production.

(2) After power-up, the start-up time is the time between the rising edge of NRST high and the first I/O instruction

conversion in SystemInit function.

- (3) PLL is off.

Table 4-6. Power saving mode wakeup timings characteristics⁽¹⁾⁽²⁾

| Symbol | Parameter | Typ | Unit |
|-------------------------|-----------------------------------------------------|------|---------------|
| t_{Sleep} | Wakeup from Sleep mode | 3.5 | μs |
| $t_{\text{Deep-sleep}}$ | Wakeup from Deep-sleep mode (LDO On) | 17.1 | |
| | Wakeup from Deep-sleep mode (LDO in low power mode) | 17.1 | |
| t_{Standby} | Wakeup from Standby mode | 77.5 | |

(1) Based on characterization, not tested in production.

(2) The wakeup time is measured from the wakeup event to the point at which the application code reads the first instruction under the below conditions: $V_{\text{DD}} = V_{\text{DDA}} = 3.3 \text{ V}$, $\text{IRC8M} = \text{System clock} = 8 \text{ MHz}$.

4.3 Power consumption

The power measurements specified in the tables represent that code with data executing from on-chip Flash with the following specifications.

Table 4-7. Power consumption characteristics⁽²⁾⁽³⁾⁽⁴⁾⁽⁵⁾

| Symbol | Parameter | Conditions | Min | Typ ⁽¹⁾ | Max | Unit |
|--------------------------------|---------------------------|-------------------------------------------------------------------------------------------------------------------|-----|--------------------|-----|------|
| $I_{\text{DD}}+I_{\text{DDA}}$ | Supply current (Run mode) | $V_{\text{DD}} = V_{\text{DDA}} = 3.3 \text{ V}$, HXTAL = 8 MHz, System clock = 72 MHz, All peripherals enabled | — | 8.5 | — | mA |
| | | $V_{\text{DD}} = V_{\text{DDA}} = 3.3 \text{ V}$, HXTAL = 8 MHz, System clock = 72 MHz, All peripherals disabled | — | 5.4 | — | mA |
| | | $V_{\text{DD}} = V_{\text{DDA}} = 3.3 \text{ V}$, HXTAL = 8 MHz, System clock = 48 MHz, All peripherals enabled | — | 6.2 | — | mA |
| | | $V_{\text{DD}} = V_{\text{DDA}} = 3.3 \text{ V}$, HXTAL = 8 MHz, System clock = 48 MHz, All peripherals disabled | — | 4.2 | — | mA |
| | | $V_{\text{DD}} = V_{\text{DDA}} = 3.3 \text{ V}$, HXTAL = 8 MHz, System clock = 36 MHz, All peripherals enabled | — | 5.1 | — | mA |
| | | $V_{\text{DD}} = V_{\text{DDA}} = 3.3 \text{ V}$, HXTAL = 8 MHz, System clock = 36 MHz, All peripherals disabled | — | 3.6 | — | mA |
| | | $V_{\text{DD}} = V_{\text{DDA}} = 3.3 \text{ V}$, HXTAL = 8 MHz, System clock = 24 MHz, All peripherals enabled | — | 4.0 | — | mA |
| | | $V_{\text{DD}} = V_{\text{DDA}} = 3.3 \text{ V}$, HXTAL = 8 MHz, System clock = 24 MHz, All peripherals disabled | — | 2.9 | — | mA |

| Symbol | Parameter | Conditions | Min | Typ ⁽¹⁾ | Max | Unit |
|--------|--------------------------------|---------------------------------------------------------------------------------------------------------------------------------|-----|--------------------|-----|------|
| | | V _{DD} = V _{DDA} = 3.3 V, HXTAL = 8 MHz, System clock = 16 MHz, All peripherals enabled | — | 3.2 | — | mA |
| | | V _{DD} = V _{DDA} = 3.3 V, HXTAL = 8 MHz, System clock = 16 MHz, All peripherals disabled | — | 2.5 | — | mA |
| | | V _{DD} = V _{DDA} = 3.3 V, HXTAL = 8 MHz, System clock = 8 MHz, All peripherals enabled | — | 2.4 | — | mA |
| | | V _{DD} = V _{DDA} = 3.3 V, HXTAL = 8 MHz, System clock = 8 MHz, All peripherals disabled | — | 2.1 | — | mA |
| | | V _{DD} = V _{DDA} = 3.3 V, HXTAL = 4 MHz, System clock = 4 MHz, All peripherals enabled | — | 0.8 | — | mA |
| | | V _{DD} = V _{DDA} = 3.3 V, HXTAL = 4 MHz, System clock = 4 MHz, All peripherals disabled | — | 0.6 | — | mA |
| | | V _{DD} = V _{DDA} = 3.3 V, HXTAL = 2 MHz, System clock = 2 MHz, All peripherals enabled | — | 0.6 | — | mA |
| | | V _{DD} = V _{DDA} = 3.3 V, HXTAL = 2 MHz, System clock = 2 MHz, All peripherals disabled | — | 0.5 | — | mA |
| | Supply current (Sleep mode) | V _{DD} = V _{DDA} = 3.3 V, HXTAL = 8 MHz, CPU clock off, System clock = 72 MHz, All peripherals enabled | — | 7.4 | — | mA |
| | | V _{DD} = V _{DDA} = 3.3 V, HXTAL = 8 MHz, CPU clock off, System clock = 72 MHz, All peripherals disabled | — | 3.7 | — | mA |
| | | V _{DD} = V _{DDA} = 3.3 V, HXTAL = 8 MHz, CPU clock off, System clock = 48 MHz, All peripherals enabled | — | 5.5 | — | mA |
| | | V _{DD} = V _{DDA} = 3.3 V, HXTAL = 8 MHz, CPU clock off, System clock = 48 MHz, All peripherals disabled | — | 3.1 | — | mA |
| | | V _{DD} = V _{DDA} = 3.3 V, HXTAL = 8 MHz, CPU clock off, System clock = 36 MHz, All peripherals enabled | — | 4.5 | — | mA |
| | | V _{DD} = V _{DDA} = 3.3 V, HXTAL = 8 MHz, CPU clock off, System clock = 36 MHz, All peripherals disabled | — | 2.7 | — | mA |

| Symbol | Parameter | Conditions | Min | Typ ⁽¹⁾ | Max | Unit |
|------------------------|----------------------------------|---------------------------------------------------------------------------------------------------------------------------|-----|--------------------|-----|------|
| | | V _{DD} = V _{DDA} = 3.3 V, HXTAL = 8 MHz, CPU clock off, System clock = 24 MHz, All peripherals enabled | — | 3.6 | — | mA |
| | | V _{DD} = V _{DDA} = 3.3 V, HXTAL = 8 MHz, CPU clock off, System clock = 24 MHz, All peripherals disabled | — | 2.4 | — | mA |
| | | V _{DD} = V _{DDA} = 3.3 V, HXTAL = 8 MHz, CPU clock off, System clock = 16 MHz, All peripherals enabled | — | 3.0 | — | mA |
| | | V _{DD} = V _{DDA} = 3.3 V, HXTAL = 8 MHz, CPU clock off, System clock = 16 MHz, All peripherals disabled | — | 2.1 | — | mA |
| | | V _{DD} = V _{DDA} = 3.3 V, HXTAL = 8 MHz, CPU clock off, System clock = 8 MHz, All peripherals enabled | — | 2.3 | — | mA |
| | | V _{DD} = V _{DDA} = 3.3 V, HXTAL = 8 MHz, CPU clock off, System clock = 8 MHz, All peripherals disabled | — | 1.9 | — | mA |
| | | V _{DD} = V _{DDA} = 3.3 V, HXTAL = 4 MHz, CPU clock off, System clock = 4 MHz, All peripherals enabled | — | 0.7 | — | mA |
| | | V _{DD} = V _{DDA} = 3.3 V, HXTAL = 4 MHz, CPU clock off, System clock = 4 MHz, All peripherals disabled | — | 0.5 | — | mA |
| | | V _{DD} = V _{DDA} = 3.3 V, HXTAL = 2 MHz, CPU clock off, System clock = 2 MHz, All peripherals enabled | — | 0.5 | — | mA |
| | | V _{DD} = V _{DDA} = 3.3 V, HXTAL = 2 MHz, CPU clock off, System clock = 2 MHz, All peripherals disabled | — | 0.4 | — | mA |
| | Supply current (Deep-sleep mode) | V _{DD} = V _{DDA} = 3.3 V, LDO in normal power and normal driver mode, IRC40K off, RTC off | — | 25.5 | 58 | μA |
| | | V _{DD} = V _{DDA} = 3.3 V, LDO in normal power and low driver mode, IRC40K off, RTC off | — | 12.3 | 58 | μA |
| | Supply current (Standby mode) | V _{DD} = V _{DDA} = 3.3 V, LXTAL off, IRC40K on, RTC on | — | 3.8 | 5.5 | μA |
| | | V _{DD} = V _{DDA} = 3.3 V, LXTAL off, IRC40K on, RTC off | — | 3.6 | 5.5 | μA |
| | | V _{DD} = V _{DDA} = 3.3 V, LXTAL off, IRC40K off, RTC off, VDDA Monitor on | — | 3.1 | 5.5 | μA |
| | | V _{DD} = V _{DDA} = 3.3 V, LXTAL off, IRC40K off, RTC off, VDDA Monitor off | — | 1.6 | 5.5 | μA |
| I _{LXTAL+RTC} | | V _{DD} = V _{DDA} = 3.6 V, LXTAL on with external | — | 1.43 | — | μA |

| Symbol | Parameter | Conditions | Min | Typ ⁽¹⁾ | Max | Unit |
|--------|----------------------|-------------------------------------------------------------------------------------------------|-----|--------------------|-----|---------------|
| | LXTAL+RTC current | crystal, RTC on, Higher driving | | | | |
| | | $V_{DD} = V_{DDA} = 3.3\text{ V}$, LXTAL on with external crystal, RTC on, Higher driving | — | 1.36 | — | μA |
| | | $V_{DD} = V_{DDA} = 2.5\text{ V}$, LXTAL on with external crystal, RTC on, Higher driving | — | 1.23 | — | μA |
| | | $V_{DD} = V_{DDA} = 1.8\text{ V}$, LXTAL on with external crystal, RTC on, Higher driving | — | 1.15 | — | μA |
| | | $V_{DD} = V_{DDA} = 3.6\text{ V}$, LXTAL on with external crystal, RTC on, Medium High driving | — | 1.13 | — | μA |
| | | $V_{DD} = V_{DDA} = 3.3\text{ V}$, LXTAL on with external crystal, RTC on, Medium High driving | — | 1.06 | — | μA |
| | | $V_{DD} = V_{DDA} = 2.5\text{ V}$, LXTAL on with external crystal, RTC on, Medium High driving | — | 0.95 | — | μA |
| | | $V_{DD} = V_{DDA} = 1.8\text{ V}$, LXTAL on with external crystal, RTC on, Medium High driving | — | 0.86 | — | μA |
| | | $V_{DD} = V_{DDA} = 3.6\text{ V}$, LXTAL on with external crystal, RTC on, Medium Low driving | — | 0.84 | — | μA |
| | | $V_{DD} = V_{DDA} = 3.3\text{ V}$, LXTAL on with external crystal, RTC on, Medium Low driving | — | 0.76 | — | μA |
| | | $V_{DD} = V_{DDA} = 2.5\text{ V}$, LXTAL on with external crystal, RTC on, Medium Low driving | — | 0.64 | — | μA |
| | | $V_{DD} = V_{DDA} = 1.8\text{ V}$, LXTAL on with external crystal, RTC on, Medium Low driving | — | 0.56 | — | μA |
| | | $V_{DD} = V_{DDA} = 3.6\text{ V}$, LXTAL on with external crystal, RTC on, Low driving | — | 0.74 | — | μA |
| | | $V_{DD} = V_{DDA} = 3.3\text{ V}$, LXTAL on with external crystal, RTC on, Low driving | — | 0.67 | — | μA |
| | | $V_{DD} = V_{DDA} = 2.5\text{ V}$, LXTAL on with external crystal, RTC on, Low driving | — | 0.56 | — | μA |
| | | $V_{DD} = V_{DDA} = 1.8\text{ V}$, LXTAL on with external crystal, RTC on, Low driving | — | 0.47 | — | μA |

- (1) Based on characterization, not tested in production.
- (2) When System Clock is less than 4 MHz, an external source is used, and the HXTAL bypass function is needed, no PLL.
- (3) When System Clock is greater than 8 MHz, a crystal 8 MHz is used, and the HXTAL bypass function is closed, using PLL.
- (4) When analog peripheral blocks such as ADCs, HXTAL, LXTAL, IRC8M, or IRC40K are ON, an additional power consumption should be considered.
- (5) All GPIOs are configured as analog mode except standby mode.

Figure 4-2. Typical supply current consumption in Run mode

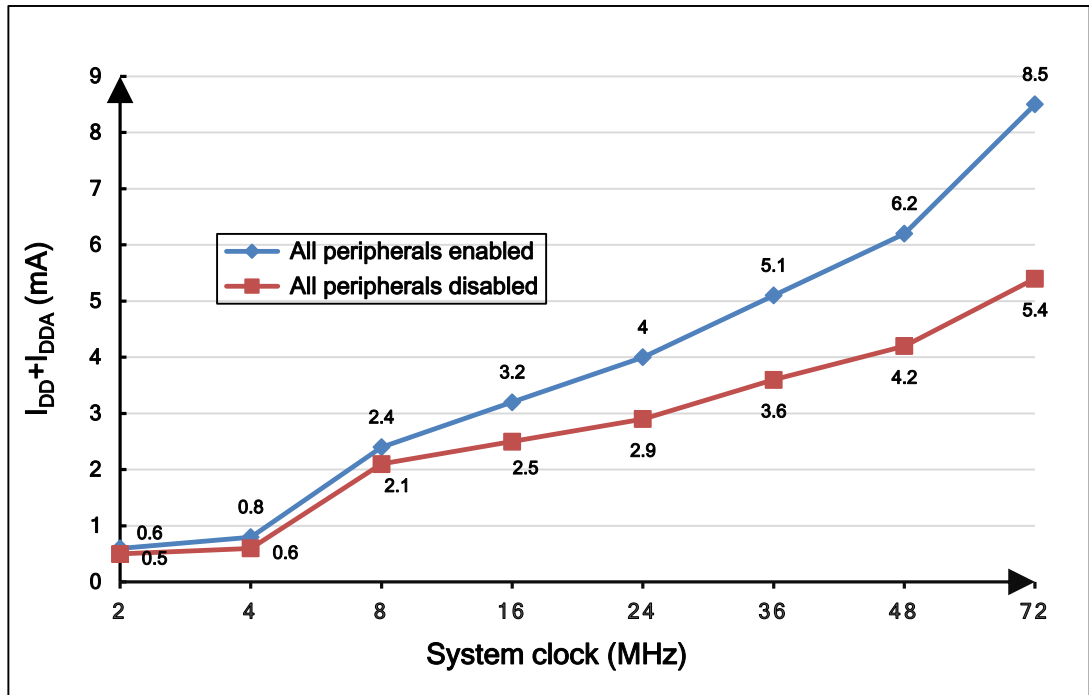


Figure 4-3. Typical supply current consumption in Sleep mode

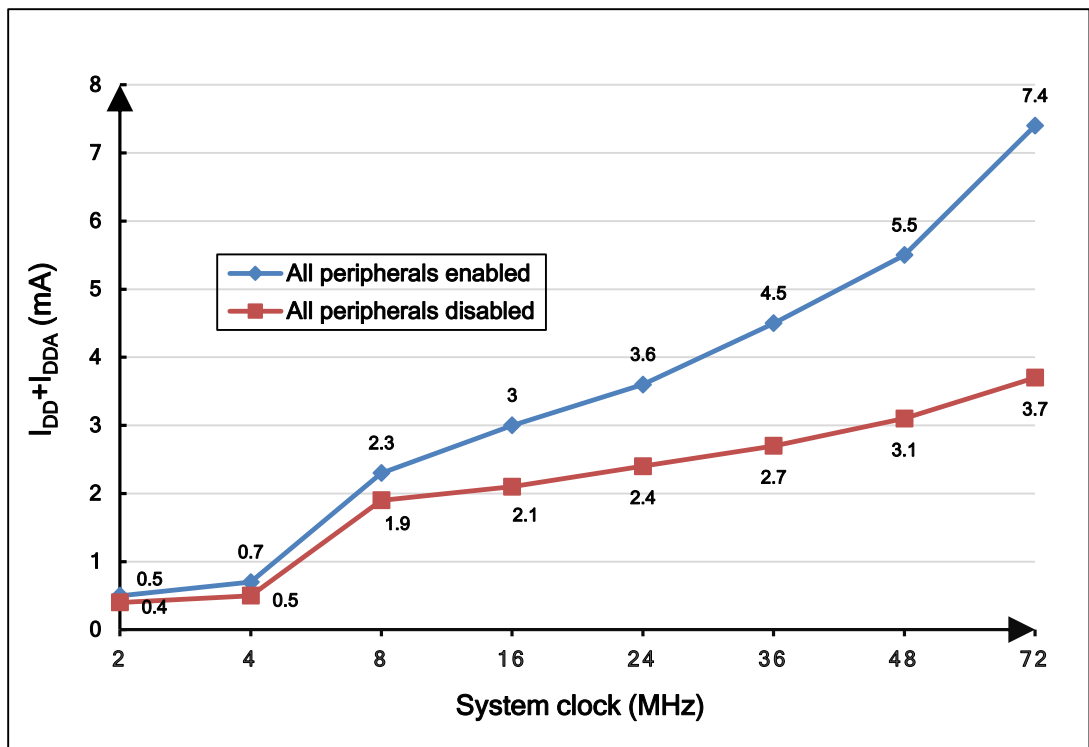


Table 4-8. Peripheral current consumption characteristics⁽¹⁾

| Peripherals ⁽⁴⁾ | | Typical consumption | Unit |
|----------------------------|--------------------------|---------------------|------|
| APB1 | PMU | 1.44 | mA |
| | I2C1 | 1.38 | |
| | I2C0 | 1.38 | |
| | USART1 | 1.34 | |
| | SPI1 | 1.37 | |
| | WWDGT | 1.32 | |
| | TIMER13 | 1.36 | |
| | TIMER5 | 0.17 | |
| | TIMER2 | 0.23 | |
| APB2 | DBGMCU | 1.3 | |
| | TIMER16 | 1.42 | |
| | TIMER15 | 1.42 | |
| | TIMER14 | 1.49 | |
| | USART0 | 1.63 | |
| | SPI0 | 1.38 | |
| | TIMER0 | 1.68 | |
| | ADC ⁽²⁾ | 0.95 | |
| | CFG & CMP ⁽³⁾ | 1.27 | |
| AHB | GPIOF | 1.31 | |
| | GPIOC | 1.31 | |
| | GPIOB | 1.34 | |
| | GPIOA | 1.34 | |
| | CRC | 0.16 | |
| | DMA | 0.15 | |

(1) Based on characterization, not tested in production.

(2) $f_{ADCCLK} = IRC28M$, ADCON bit is set to 1.

(3) CMP enabled by setting CMPEN bit in CMP_CS, CMP mode is set to High Speed.

(4) If there is no other description, then $V_{DD} = V_{DDA} = 3.3V$, $HXTAL = 8MHz$, system clock = $f_{HCLK} = 72MHz$, $f_{APB1} = f_{HCLK}/2$, $f_{APB2} = f_{HCLK}$, $f_{ADCCLK} = f_{APB2}/2$.

4.4 EMC characteristics

EMS (electromagnetic susceptibility) includes ESD (Electrostatic discharge, positive and negative) and FTB (Burst of Fast Transient voltage, positive and negative) testing result is given in [Table 4-9. EMS characteristics](#), based on the EMS levels and classes compliant with IEC 61000 series standard.

Table 4-9. EMS characteristics⁽¹⁾

| Symbol | Parameter | Conditions | Level/Class |
|------------------|------------------------------------------------------------------------------------------------------------|---------------------------------------------------------------------------------------------------------------------|-------------|
| V _{ESD} | Voltage applied to all device pins to induce a functional disturbance | V _{DD} = 3.3 V, T _A = 25 °C, LQFP48, f _{HCLK} = 72 MHz conforms to IEC 61000-4-2 | 3A |
| V _{FTB} | Fast transient voltage burst applied to induce a functional disturbance through 100 pF on VDD and VSS pins | V _{DD} = 3.3 V, T _A = 25 °C, LQFP48, f _{HCLK} = 72 MHz conforms to IEC 61000-4-4 | 4A |

(1) Based on characterization, not tested in production.

EMI (Electromagnetic Interference) emission test result is given in the [Table 4-10. EMI characteristics^{\(1\)}](#). The electromagnetic field emitted by the device are monitored while an application, executing EEMBC code, is running. The test is compliant with SAE J1752-3:2017 standard which specifies the test board and the pin loading.

Table 4-10. EMI characteristics⁽¹⁾

| Symbol | Parameter | Conditions | Tested frequency band | Max vs. [f _{HXTAL} /f _{HCLK}] | Unit |
|------------------|------------|--------------------------------------------------------------------------------------------------------------------------|-----------------------|-----------------------------------------------------|------|
| | | | | 8/72 MHz | |
| S _{EMI} | Peak level | V _{DD} = 3.6 V, T _A = +25 °C, LQFP48, f _{HCLK} = 72 MHz, conforms to SAE J1752-3:2017 | 0.15 MHz to 30 MHz | -1.51 | dBμV |
| | | | 30 MHz to 130 MHz | 3.02 | |
| | | | 130 MHz to 1 GHz | 7.47 | |

(1) Based on characterization, not tested in production.

4.5 Power supply supervisor characteristics

Table 4-11. Power supply supervisor characteristics⁽¹⁾

| Symbol | Parameter | Conditions | Min | Typ | Max | Unit |
|--------------------------------------|--------------------------------|-------------------------------|-----|------|-----|------|
| V _{LVD} ⁽¹⁾ | Low Voltage Detector Threshold | LVDT[2:0] = 000, rising edge | — | 2.11 | — | V |
| | | LVDT[2:0] = 000, falling edge | — | 2.01 | — | V |
| | | LVDT[2:0] = 001, rising edge | — | 2.25 | — | V |
| | | LVDT[2:0] = 001, falling edge | — | 2.16 | — | V |
| | | LVDT[2:0] = 010, rising edge | — | 2.39 | — | V |
| | | LVDT[2:0] = 010, falling edge | — | 2.29 | — | V |
| | | LVDT[2:0] = 011, rising edge | — | 2.52 | — | V |
| | | LVDT[2:0] = 011, falling edge | — | 2.43 | — | V |
| | | LVDT[2:0] = 100, rising edge | — | 2.66 | — | V |
| | | LVDT[2:0] = 100, falling edge | — | 2.57 | — | V |
| | | LVDT[2:0] = 101, rising edge | — | 2.80 | — | V |
| | | LVDT[2:0] = 101, falling edge | — | 2.71 | — | V |
| | | LVDT[2:0] = 110, rising edge | — | 2.95 | — | V |
| | | LVDT[2:0] = 110, falling edge | — | 2.84 | — | V |
| LVDT[2:0] = 111, rising edge | — | 3.08 | — | V | | |
| LVDT[2:0] = 111, falling edge | — | 2.98 | — | V | | |
| V _{LVDhyst} ⁽²⁾ | LVD hysteresis | — | — | 100 | — | mV |
| V _{POR} ⁽¹⁾ | Power on reset threshold | — | — | 1.71 | — | V |
| V _{PDR} ⁽¹⁾ | Power down reset threshold | | — | 1.67 | — | V |
| V _{PDRhyst} ⁽²⁾ | PDR hysteresis | | — | 40 | — | mV |
| t _{RSTTEMPO} ⁽²⁾ | Reset temporization | | — | 2 | — | ms |

(1) Based on characterization, not tested in production.

(2) Guaranteed by design, not tested in production.

4.6 Electrical sensitivity

The device is strained in order to determine its performance in terms of electrical sensitivity. Electrostatic discharges (ESD) are applied directly to the pins of the sample. Static latch-up

(LU) test is based on the two measurement methods.

Table 4-12. ESD characteristics⁽¹⁾

| Symbol | Parameter | Conditions | Min | Typ | Max | Unit |
|----------------|-------------------------------------------------------|---------------------------------------------------|-----|-----|------|------|
| $V_{ESD(HBM)}$ | Electrostatic discharge voltage (human body model) | $T_A = 25\text{ }^\circ\text{C}$; JS-001-2017 | — | — | 6000 | V |
| $V_{ESD(CDM)}$ | Electrostatic discharge voltage (charge device model) | $T_A = 25\text{ }^\circ\text{C}$; JS-002-2014 | — | — | 2000 | V |

(1) Based on characterization, not tested in production.

Table 4-13. Static latch-up characteristics⁽¹⁾

| Symbol | Parameter | Conditions | Min | Typ | Max | Unit |
|--------|----------------------------------|-------------------------------------------|-----|-----|-----------|------|
| LU | I-test | $T_A = 25\text{ }^\circ\text{C}$; JESD78 | — | — | ± 200 | mA |
| | V_{supply} over voltage | | — | — | 5.4 | V |

(1) Based on characterization, not tested in production.

4.7 External clock characteristics

Table 4-14. High speed external clock (HXTAL) generated from a crystal/ceramic characteristics

| Symbol | Parameter | Conditions | Min | Typ | Max | Unit |
|--------------------------------------|------------------------------------------------------|-------------------------|-----|-----|-----|------------|
| $f_{\text{HXTAL}}^{(1)}$ | Crystal or ceramic frequency | $V_{DD} = 3.3\text{ V}$ | 4 | 8 | 32 | MHz |
| $R_F^{(2)}$ | Feedback resistor | $V_{DD} = 3.3\text{ V}$ | — | 400 | — | k Ω |
| $C_{\text{HXTAL}}^{(2)(3)}$ | Recommended matching capacitance on OSCIN and OSCOUT | — | — | 20 | 30 | pF |
| $D_{\text{ucy}}(\text{HXTAL})^{(2)}$ | Crystal or ceramic duty cycle | — | 30 | 50 | 70 | % |
| $g_m^{(2)}$ | Oscillator transconductance | Startup | — | 25 | — | mA/V |
| $I_{DD}(\text{HXTAL})^{(1)}$ | Crystal or ceramic operating current | $V_{DD} = 3.3\text{ V}$ | — | 1.2 | — | mA |
| $t_{\text{SUHXTAL}}^{(1)}$ | Crystal or ceramic startup time | $V_{DD} = 3.3\text{ V}$ | — | 1.8 | — | ms |

(1) Based on characterization, not tested in production.

(2) Guaranteed by design, not tested in production.

(3) $C_{\text{HXTAL}1} = C_{\text{HXTAL}2} = 2 \cdot (C_{\text{LOAD}} - C_S)$, For $C_{\text{HXTAL}1}$ and $C_{\text{HXTAL}2}$, it is recommended matching capacitance on OSCIN and OSCOUT. For C_{LOAD} , it is crystal/ceramic load capacitance, provided by the crystal or ceramic manufacturer. For C_S , it is PCB and MCU pin stray capacitance.

Table 4-15. High speed external user clock characteristics (HXTAL in bypass mode)

| Symbol | Parameter | Conditions | Min | Typ | Max | Unit |
|--------------------------------------|-----------------------------------------------|---------------------------------|---------------------|-----|---------------------|------|
| $f_{\text{HXTAL_ext}}^{(1)}$ | External clock source or oscillator frequency | $V_{\text{DD}} = 3.3 \text{ V}$ | 1 | 8 | 50 | MHz |
| $V_{\text{HXTALH}}^{(2)}$ | OSCIN input pin high level voltage | $V_{\text{DD}} = 3.3 \text{ V}$ | $0.7 V_{\text{DD}}$ | — | V_{DD} | V |
| $V_{\text{HXTALL}}^{(2)}$ | OSCIN input pin low level voltage | | V_{SS} | — | $0.3 V_{\text{DD}}$ | |
| $t_{\text{H/L(HXTAL)}}^{(2)}$ | OSCIN high or low time | — | 5 | — | — | ns |
| $t_{\text{R/F(HXTAL)}}^{(2)}$ | OSCIN rise or fall time | — | — | — | 10 | |
| $C_{\text{IN}}^{(2)}$ | OSCIN input capacitance | — | — | 5 | — | pF |
| $\text{Ducy}_{\text{(HXTAL)}}^{(2)}$ | Duty cycle | — | 30 | 50 | 70 | % |

(1) Based on characterization, not tested in production.

(2) Guaranteed by design, not tested in production.

Table 4-16. Low speed external clock (LXTAL) generated from a crystal/ceramic characteristics

| Symbol | Parameter | Conditions | Min | Typ | Max | Unit |
|--------------------------------------|----------------------------------------------------------|---------------------------------|-----|--------|-----|-----------------|
| $f_{\text{LXTAL}}^{(1)}$ | Crystal or ceramic frequency | $V_{\text{DD}} = 3.3 \text{ V}$ | — | 32.768 | — | kHz |
| $C_{\text{LXTAL}}^{(2)(3)}$ | Recommended matching capacitance on OSC32IN and OSC32OUT | — | — | 10 | — | pF |
| $\text{Ducy}_{\text{(LXTAL)}}^{(2)}$ | Crystal or ceramic duty cycle | — | 30 | — | 70 | % |
| $g_{\text{m}}^{(2)}$ | Oscillator transconductance | Lower driving capability | — | 4 | — | $\mu\text{A/V}$ |
| | | Medium low driving capability | — | 6 | — | |
| | | Medium high driving capability | — | 12 | — | |
| | | Higher driving capability | — | 18 | — | |
| $I_{\text{DDLXTAL}}^{(1)}$ | Crystal or ceramic operating current | Lower driving capability | — | 0.5 | — | μA |
| | | Medium low driving capability | — | 0.6 | — | |
| | | Medium high driving capability | — | 1.0 | — | |
| | | Higher driving capability | — | 1.2 | — | |
| $t_{\text{SULXTAL}}^{(1)(4)}$ | Crystal or ceramic startup time | $V_{\text{DD}} = 3.3 \text{ V}$ | — | 1.8 | — | s |

(1) Based on characterization, not tested in production.

(2) Guaranteed by design, not tested in production.

(3) $C_{\text{LXTAL1}} = C_{\text{LXTAL2}} = 2 * (C_{\text{LOAD}} - C_{\text{S}})$, For C_{LXTAL1} and C_{LXTAL2} , it is recommended matching capacitance on OSC32IN and OSC32OUT. For C_{LOAD} , it is crystal/ceramic load capacitance, provided by the crystal or ceramic manufacturer. For C_{S} , it is PCB and MCU pin stray capacitance.

(4) t_{SULXTAL} is the startup time measured from the moment it is enabled (by software) to the 32.768 kHz oscillator stabilization flags is SET. This value varies significantly with the crystal manufacturer.

Table 4-17. Low speed external user clock characteristics (LXTAL in bypass mode)

| Symbol | Parameter | Conditions | Min | Typ | Max | Unit |
|------------------------|-----------------------------------------------|-------------------------|--------------|--------|--------------|------|
| $f_{LXTAL_ext}^{(1)}$ | External clock source or oscillator frequency | $V_{DD} = 3.3\text{ V}$ | — | 32.768 | 1000 | kHz |
| $V_{LXTALH}^{(2)}$ | OSC32IN input pin high level voltage | $V_{DD} = 3.3\text{ V}$ | $0.7 V_{DD}$ | — | V_{DD} | V |
| $V_{LXTALL}^{(2)}$ | OSC32IN input pin low level voltage | | V_{SS} | — | $0.3 V_{DD}$ | |
| $t_{H/L(LXTAL)}^{(2)}$ | OSC32IN high or low time | — | 450 | — | — | ns |
| $t_{R/F(LXTAL)}^{(2)}$ | OSC32IN rise or fall time | — | — | — | 50 | |
| $C_{IN}^{(2)}$ | OSC32IN input capacitance | — | — | 5 | — | pF |
| $D_{ucy(LXTAL)}^{(2)}$ | Duty cycle | — | 30 | 50 | 70 | % |

(1) Based on characterization, not tested in production.

(2) Guaranteed by design, not tested in production.

4.8 Internal clock characteristics

Table 4-18. High speed internal clock (IRC8M) characteristics

| Symbol | Parameter | Conditions | Min | Typ | Max | Unit |
|---------------------|---------------------------------------------------------|-----------------------------------------------------------------------------------------------------|------|--------------------------------|------|---------------|
| f_{IRC8M} | High Speed Internal Oscillator (IRC8M) frequency | $V_{DD} = V_{DDA} = 3.3\text{ V}$ | — | 8 | — | MHz |
| $ACC_{IRC8M}^{(1)}$ | IRC8M oscillator Frequency accuracy, Factory-trimmed | $V_{DD} = V_{DDA} = 3.3\text{ V}$, $T_A = -40\text{ °C} \sim +85\text{ °C}$ for grade 6 devices | — | -0.525 to 0.275 ⁽¹⁾ | — | % |
| | | $V_{DD} = V_{DDA} = 3.3\text{ V}$, $T_A = -40\text{ °C} \sim +105\text{ °C}$ for grade 7 device | — | -0.525 to 0.275 ⁽¹⁾ | — | |
| | | $V_{DD} = V_{DDA} = 3.3\text{ V}$, $T_A = 25\text{ °C}$ | -1.0 | — | +1.0 | |
| | IRC8M oscillator Frequency accuracy, User trimming step | — | — | 0.5 | — | % |
| $D_{IRC8M}^{(2)}$ | IRC8M oscillator duty cycle | $V_{DD} = V_{DDA} = 3.3\text{ V}$ | 45 | 50 | 55 | % |
| $I_{DDIRC8M}^{(1)}$ | IRC8M oscillator operating current | $V_{DD} = V_{DDA} = 3.3\text{ V}$, $f_{IRC8M} = 8\text{ MHz}$ | — | 55 | — | μA |
| $t_{SUIRC8M}^{(1)}$ | IRC8M oscillator startup time | $V_{DD} = V_{DDA} = 3.3\text{ V}$, $f_{IRC8M} = 8\text{ MHz}$ | — | 1.5 | — | μs |

(1) Based on characterization, not tested in production.

(2) Guaranteed by design, not tested in production.

Table 4-19. Low speed internal clock (IRC40K) characteristics

| Symbol | Parameter | Conditions | Min | Typ | Max | Unit |
|----------------------|--------------------------------------------------|-----------------------------------|-----|------|-----|---------------|
| $f_{IRC40K}^{(1)}$ | Low Speed Internal oscillator (IRC40K) frequency | $V_{DD} = V_{DDA} = 3.3\text{ V}$ | — | 40 | — | kHz |
| $I_{DDIRC40K}^{(2)}$ | IRC40K oscillator operating current | $V_{DD} = V_{DDA} = 3.3\text{ V}$ | — | 0.41 | — | μA |
| $t_{SUIRC40K}^{(2)}$ | IRC40K oscillator startup time | $V_{DD} = V_{DDA} = 3.3\text{ V}$ | — | 33 | — | μs |

(1) Guaranteed by design, not tested in production.

(2) Based on characterization, not tested in production.

Table 4-20. High speed internal clock (IRC28M) characteristics

| Symbol | Parameter | Conditions | Min | Typ | Max | Unit |
|-----------------------|----------------------------------------------------------|-----------------------------------------------------------------------------------------------------------------------------|------|--------------------------------|------|---------------|
| f_{IRC28M} | High Speed Internal Oscillator (IRC28M) frequency | $V_{DD} = V_{DDA} = 3.3\text{ V}$ | — | 28 | — | MHz |
| $ACC_{IRC28M}^{(1)}$ | IRC28M oscillator Frequency accuracy, Factory-trimmed | $V_{DD} = V_{DDA} = 3.3\text{ V}$, $T_A = -40\text{ }^\circ\text{C} \sim +85\text{ }^\circ\text{C}$ for grade 6 devices | — | -0.975 to 0.782 ⁽¹⁾ | — | % |
| | | $V_{DD} = V_{DDA} = 3.3\text{ V}$, $T_A = -40\text{ }^\circ\text{C} \sim +105\text{ }^\circ\text{C}$ for grade 7 device | — | -1.59 to 0.782 ⁽¹⁾ | — | |
| | | $V_{DD} = V_{DDA} = 3.3\text{ V}$, $T_A = 25\text{ }^\circ\text{C}$ | -2.0 | — | +2.0 | |
| | IRC28M oscillator Frequency accuracy, User trimming step | — | — | 0.5 | — | % |
| $D_{IRC28M}^{(2)}$ | IRC28M oscillator duty cycle | $V_{DD} = V_{DDA} = 3.3\text{ V}$ | 45 | 50 | 55 | % |
| $I_{DDAIRC28M}^{(1)}$ | IRC28M oscillator operating current | $V_{DD} = V_{DDA} = 3.3\text{ V}$, $f_{IRC28M} = 28\text{ MHz}$ | — | 121 | — | μA |
| $t_{SUIRC28M}^{(1)}$ | IRC28M oscillator startup time | $V_{DD} = V_{DDA} = 3.3\text{ V}$, $f_{IRC28M} = 28\text{ MHz}$ | — | 1.5 | — | μs |

(1) Based on characterization, not tested in production.

(2) Guaranteed by design, not tested in production.

4.9 PLL characteristics

Table 4-21. PLL characteristics

| Symbol | Parameter | Conditions | Min | Typ | Max | Unit |
|----------------------|--------------------------------------|-------------------|-----|-----|-----|---------|
| $f_{PLLIN}^{(1)}$ | PLL input clock frequency | — | 1 | — | 25 | MHz |
| $f_{PLLOUT}^{(2)}$ | PLL output clock frequency | — | 16 | — | 72 | MHz |
| $f_{VCO}^{(2)}$ | PLL VCO output clock frequency | — | — | — | 72 | MHz |
| $t_{LOCK}^{(2)}$ | PLL lock time | — | — | — | 300 | μ s |
| $I_{DDA}^{(1)}$ | Current consumption on V_{DDA} | VCO freq = 72 MHz | — | 260 | — | μ A |
| $Jitter_{PLL}^{(3)}$ | Cycle to cycle Jitter (rms) | System clock | — | 50 | — | ps |
| | Cycle to cycle Jitter (peak to peak) | | — | 500 | — | |

(1) Based on characterization, not tested in production.

(2) Guaranteed by design, not tested in production.

(3) Value given with main PLL running.

4.10 Memory characteristics

Table 4-22. Flash memory characteristics

| Symbol | Parameter | Conditions | Min | Typ | Max | Unit |
|--------------------|-----------------------------------------------------------------------|----------------------------|-----|-----|-----|---------|
| $PE_{CYC}^{(1)}$ | Number of guaranteed program /erase cycles before failure (Endurance) | — | 100 | — | — | kcycles |
| $t_{RET}^{(1)}$ | Data retention time | — | 10 | — | — | years |
| $t_{PROG}^{(2)}$ | Word programming time | T_A range ⁽³⁾ | 37 | — | 42 | μ s |
| $t_{ERASE}^{(2)}$ | Page erase time | | 3.2 | — | 4 | ms |
| $t_{MERASE}^{(2)}$ | Mass erase time | | 8 | — | 10 | ms |

(1) Based on characterization, not tested in production.

(2) Guaranteed by design, not tested in production.

(3) For grade 6 devices, T_A range= -40°C ~ +85°C. For grade 7 device, T_A range= -40°C ~ +105°C.

4.11 NRST pin characteristics

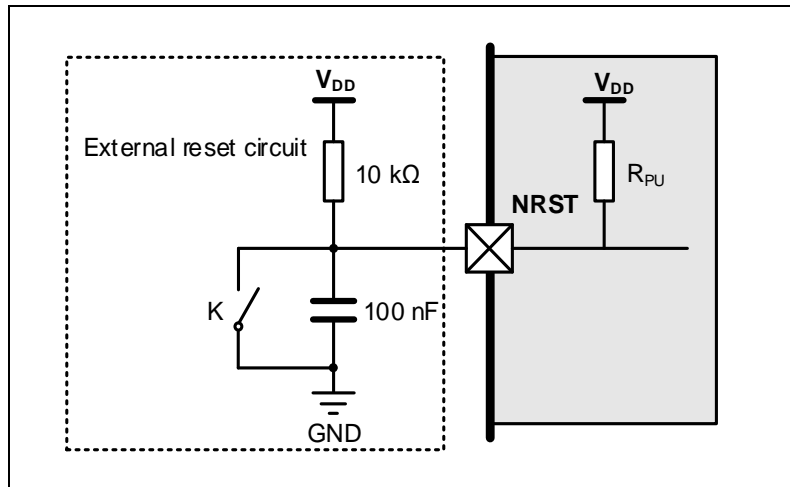
Table 4-23. NRST pin characteristics

| Symbol | Parameter | Conditions | Min | Typ | Max | Unit |
|----------------------|------------------------------------|--------------------------------------------------------|---------------|-----|----------------|------------|
| $V_{IL(NRST)}^{(1)}$ | NRST Input low level voltage | $1.8\text{ V} \leq V_{DD} = V_{DDA} \leq 3.6\text{ V}$ | -0.5 | — | $0.35 V_{DD}$ | V |
| $V_{IH(NRST)}^{(1)}$ | NRST Input high level voltage | | $0.65 V_{DD}$ | — | $V_{DD} + 0.5$ | |
| $V_{hyst}^{(1)}$ | Schmidt trigger Voltage hysteresis | | — | 400 | — | mV |
| $R_{pu}^{(2)}$ | Pull-up equivalent resistor | — | — | 40 | — | k Ω |

(1) Based on characterization, not tested in production.

(2) Guaranteed by design, not tested in production.

Figure 4-4. Recommended external NRST pin circuit



(1) Unless the voltage on NRST pin go below $V_{IL}(\text{NRST})$ level, the device would not generate a reliable reset.

4.12 GPIO characteristics

Table 4-24. I/O port DC characteristics⁽¹⁾⁽³⁾

| Symbol | Parameter | Conditions | Min | Typ | Max | Unit |
|----------|---------------------------------------------------------------------|--------------------------------------------------------|--------------|-----|--------------|------|
| V_{IL} | Standard IO Low level input voltage | $1.8\text{ V} \leq V_{DD} = V_{DDA} \leq 3.6\text{ V}$ | — | — | $0.3 V_{DD}$ | V |
| | 5V-tolerant IO Low level input voltage | $1.8\text{ V} \leq V_{DD} = V_{DDA} \leq 3.6\text{ V}$ | — | — | $0.3 V_{DD}$ | V |
| V_{IH} | Standard IO High level input voltage | $1.8\text{ V} \leq V_{DD} = V_{DDA} \leq 3.6\text{ V}$ | $0.7 V_{DD}$ | — | — | V |
| | 5 V-tolerant IO High level input voltage | $1.8\text{ V} \leq V_{DD} = V_{DDA} \leq 3.6\text{ V}$ | $0.7 V_{DD}$ | — | — | V |
| V_{OL} | Low level output voltage for an IO Pin ($I_{IO} = +8\text{ mA}$) | $V_{DD} = 1.8\text{ V}$ | — | — | 0.20 | V |
| | | $V_{DD} = 2.5\text{ V}$ | — | — | 0.20 | |
| | | $V_{DD} = 3.3\text{ V}$ | — | — | 0.10 | |
| | | $V_{DD} = 3.6\text{ V}$ | — | — | 0.10 | |
| V_{OL} | Low level output voltage for an IO Pin ($I_{IO} = +20\text{ mA}$) | $V_{DD} = 1.8\text{ V}$ | — | — | — | V |
| | | $V_{DD} = 2.5\text{ V}$ | — | — | 0.50 | |
| | | $V_{DD} = 3.3\text{ V}$ | — | — | 0.40 | |
| | | $V_{DD} = 3.6\text{ V}$ | — | — | 0.40 | |
| V_{OH} | High level output voltage for an IO Pin ($I_{IO} = +8\text{ mA}$) | $V_{DD} = 1.8\text{ V}$ | 1.50 | — | — | V |
| | | $V_{DD} = 2.5\text{ V}$ | 2.30 | — | — | |
| | | $V_{DD} = 3.3\text{ V}$ | 3.10 | — | — | |
| | | $V_{DD} = 3.6\text{ V}$ | 3.40 | — | — | |
| V_{OH} | High level output voltage for an IO Pin | $V_{DD} = 1.8\text{ V}$ | — | — | — | V |
| | | $V_{DD} = 2.5\text{ V}$ | 1.90 | — | — | |

| Symbol | Parameter | Conditions | Min | Typ | Max | Unit |
|----------------|-------------------------------|--------------------------|------|-----|-----|------------|
| | ($I_{IO} = +20 \text{ mA}$) | $V_{DD} = 3.3 \text{ V}$ | 2.80 | — | — | |
| | | $V_{DD} = 3.6 \text{ V}$ | 3.10 | — | — | |
| $R_{PU}^{(2)}$ | Internal pull-up resistor | — | — | 40 | — | k Ω |
| $R_{PD}^{(2)}$ | Internal pull-down resistor | — | — | 40 | — | k Ω |

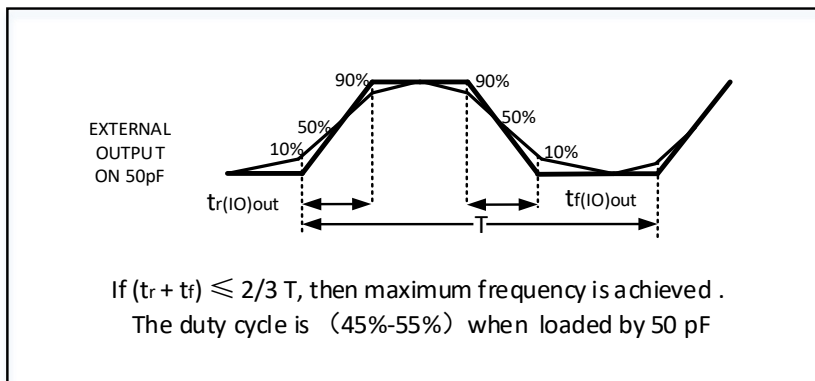
- (1) Based on characterization, not tested in production.
- (2) Guaranteed by design, not tested in production.
- (3) All pins except PC13 / PC14 / PC15. Since PC13 to PC15 are supplied through the Power Switch, which can only be obtained by a small current (typical source capability: 3 mA shared between these IOs, but sink capability is same as other IO), the speed of GPIOs PC13 to PC15 should not exceed 2 MHz when they are in output mode (maximum load: 30 pF).

Table 4-25. I/O port AC characteristics⁽¹⁾⁽²⁾

| GPIOx_OSPD0->OSPDy[1:0] bit value ⁽³⁾ | Parameter | Conditions | Max | Unit |
|-----------------------------------------------------|----------------------------------|-----------------------------------------------------------|-----|------|
| GPIOx_OSPD0->OSPDy[1:0] = X0 (IO_Speed = 2 MHz) | Maximum frequency ⁽⁴⁾ | $1.8 \leq V_{DD} \leq 3.6 \text{ V}, C_L = 10 \text{ pF}$ | 4 | MHz |
| | | $1.8 \leq V_{DD} \leq 3.6 \text{ V}, C_L = 30 \text{ pF}$ | 3 | |
| | | $1.8 \leq V_{DD} \leq 3.6 \text{ V}, C_L = 50 \text{ pF}$ | 2 | |
| GPIOx_OSPD0->OSPDy[1:0] = 01 (IO_Speed = 10 MHz) | Maximum frequency ⁽⁴⁾ | $1.8 \leq V_{DD} \leq 3.6 \text{ V}, C_L = 10 \text{ pF}$ | 24 | MHz |
| | | $1.8 \leq V_{DD} \leq 3.6 \text{ V}, C_L = 30 \text{ pF}$ | 16 | |
| | | $1.8 \leq V_{DD} \leq 3.6 \text{ V}, C_L = 50 \text{ pF}$ | 14 | |
| GPIOx_OSPD0->OSPDy[1:0] = 11 (IO_Speed = 50 MHz) | Maximum frequency ⁽⁴⁾ | $1.8 \leq V_{DD} \leq 3.6 \text{ V}, C_L = 10 \text{ pF}$ | 72 | MHz |
| | | $1.8 \leq V_{DD} \leq 3.6 \text{ V}, C_L = 30 \text{ pF}$ | 72 | |
| | | $1.8 \leq V_{DD} \leq 3.6 \text{ V}, C_L = 50 \text{ pF}$ | 72 | |

- (1) Based on characterization, not tested in production.
- (2) Unless otherwise specified, all test results given for $T_A = 25 \text{ }^\circ\text{C}$.
- (3) The I/O speed is configured using the GPIOx_OSPD0->OSPDy [1:0] bits. Refer to the GD32E23x user manual which is selected to set the GPIO port output speed.
- (4) The maximum frequency is defined in Figure 4-5, and maximum frequency cannot exceed 72 MHz.

Figure 4-5. I/O port AC characteristics definition



4.13 ADC characteristics

Table 4-26. ADC characteristics

| Symbol | Parameter | Conditions | Min | Typ | Max | Unit |
|-----------------|-------------------|------------|-----|-----|-----|------|
| $V_{DDA}^{(1)}$ | Operating voltage | — | 2.4 | 3.3 | 3.6 | V |

| Symbol | Parameter | Conditions | Min | Typ | Max | Unit |
|----------------------------------|------------------------------------------------|---------------------------------|-------|------|------------------|------------------------|
| V _{IN} ⁽¹⁾ | ADC input voltage range | — | 0 | — | V _{DDA} | V |
| f _{ADC} ⁽¹⁾ | ADC clock | — | 0.1 | — | 28 | MHz |
| f _s ⁽¹⁾ | Sampling rate | 12-bit | 0.007 | — | 2 | MSP |
| | | 10-bit | 0.008 | — | 2.3 | |
| | | 8-bit | 0.01 | — | 2.8 | S |
| | | 6-bit | 0.011 | — | 3.5 | |
| V _{AIN} ⁽¹⁾ | Analog input voltage | 10 external; 2 internal | 0 | — | V _{DDA} | V |
| R _{AIN} ⁽²⁾ | External input impedance | See Equation 1 | — | — | 219.86 | kΩ |
| R _{ADC} ⁽²⁾ | Input sampling switch resistance | — | — | — | 0.5 | kΩ |
| C _{ADC} ⁽²⁾ | Input sampling capacitance | No pin/pad capacitance included | — | — | 4 | pF |
| t _{CAL} ⁽²⁾ | Calibration time | f _{ADC} = 28 MHz | — | 4.68 | — | μs |
| t _s ⁽²⁾ | Sampling time | f _{ADC} = 28 MHz | 0.05 | — | 8.55 | μs |
| t _{CONV} ⁽²⁾ | Total conversion time(including sampling time) | 12-bit | — | 14 | — | 1/ f _{ADC} |
| | | 10-bit | — | 12 | — | |
| | | 8-bit | — | 10 | — | |
| | | 6-bit | — | 8 | — | |
| t _{SU} ⁽²⁾ | Startup time | — | — | — | 1 | μs |

(1) Based on characterization, not tested in production.

(2) Guaranteed by design, not tested in production.

Equation 1: R_{AIN} max formula
$$R_{AIN} < \frac{T_s}{f_{ADC} \cdot C_{ADC} \cdot \ln(2^{N+2})} - R_{ADC}$$

The formula above (Equation 1) is used to determine the maximum external impedance allowed for an error below 1/4 of LSB. Here N = 12 (from 12-bit resolution).

Table 4-27. ADC R_{AIN} max for f_{ADC} = 28 MHz⁽¹⁾

| T _s (cycles) | t _s (μs) | R _{AIN} max (kΩ) |
|-------------------------|---------------------|---------------------------|
| 1.5 | 0.05 | 0.88 |
| 7.5 | 0.27 | 6.40 |
| 13.5 | 0.48 | 11.92 |
| 28.5 | 1.02 | 25.72 |
| 41.5 | 1.48 | 37.68 |
| 55.5 | 1.98 | 50.56 |
| 71.5 | 2.55 | 65.29 |
| 239.5 | 8.55 | 219.86 |

(1) Based on characterization, not tested in production.

Table 4-28. Internal reference voltage calibration values⁽²⁾⁽³⁾

| Symbol | Test conditions | Memory address |
|------------------------------------|----------------------------------------------------------------------------------------------------------|-----------------------|
| V _{REFINT} ⁽¹⁾ | V _{DD} = V _{DDA} = V _{REFP} = 3.3 V (± 3.65 mV), Temperature = 25 °C (± 4 °C) | 0x1FFFF7C0-0x1FFFF7C4 |

(1) V_{REFINT} is internally connected to the ADC_IN17 input channel.

(2) Low bit data is placed at the low bit address, and high bit data is placed at the high bit address.

- (3) QFN28 package temperature calibration error is less than $\pm 40\text{mV}$, while that of other package is less than $\pm 10\text{mV}$.

Table 4-29. ADC dynamic accuracy at $f_{\text{ADC}} = 14\text{ MHz}$ ⁽¹⁾

| Symbol | Parameter | Test conditions | Min | Typ | Max | Unit |
|--------|--------------------------------------|------------------------------------------------------------------------------------------------------|-----|--------|-----|------|
| ENOB | Effective number of bits | $f_{\text{ADC}} = 14\text{ MHz}$ | — | 10.2 | — | bits |
| SNDR | Signal-to-noise and distortion ratio | $V_{\text{DDA}} = V_{\text{REFP}} = 3.3\text{ V}$ Input Frequency = 20 kHz Temperature = 25 °C | — | 63.16 | — | dB |
| SNR | Signal-to-noise ratio | | — | 64.20 | — | |
| THD | Total harmonic distortion | | — | -71.17 | — | |

- (1) Based on characterization, not tested in production.

Table 4-30. ADC static accuracy at $f_{\text{ADC}} = 14\text{ MHz}$ ⁽¹⁾

| Symbol | Parameter | Test conditions | Typ | Max | Unit |
|--------|------------------------------|---------------------------------------------------------------------------------------|-----------|-----|------|
| Offset | Offset error | $f_{\text{ADC}} = 14\text{ MHz}$ $V_{\text{DDA}} = V_{\text{REFP}} = 3.3\text{ V}$ | ± 1 | — | LSB |
| DNL | Differential linearity error | | ± 1.5 | — | |
| INL | Integral linearity error | | ± 3 | — | |

- (1) Based on characterization, not tested in production.

4.14 Temperature sensor characteristics

Table 4-31. Temperature sensor characteristics

| Symbol | Parameter | Min | Typ | Max | Unit |
|---------------------------|------------------------------------------------|-----|-----------|-----|-------|
| $T_L^{(1)}$ | V_{SENSE} linearity with temperature | — | ± 1.5 | — | °C |
| Avg_Slope ⁽¹⁾ | Average slope | — | 4.3 | — | mV/°C |
| $V_{25}^{(1)}$ | Voltage at 25 °C | — | 1.45 | — | V |
| $t_{\text{s,temp}}^{(2)}$ | ADC sampling time when reading the temperature | — | 17.1 | — | μs |

- (4) Based on characterization, not tested in production.

- (5) Shortest sampling time can be determined in the application by multiple iterations.

4.15 Comparators characteristics

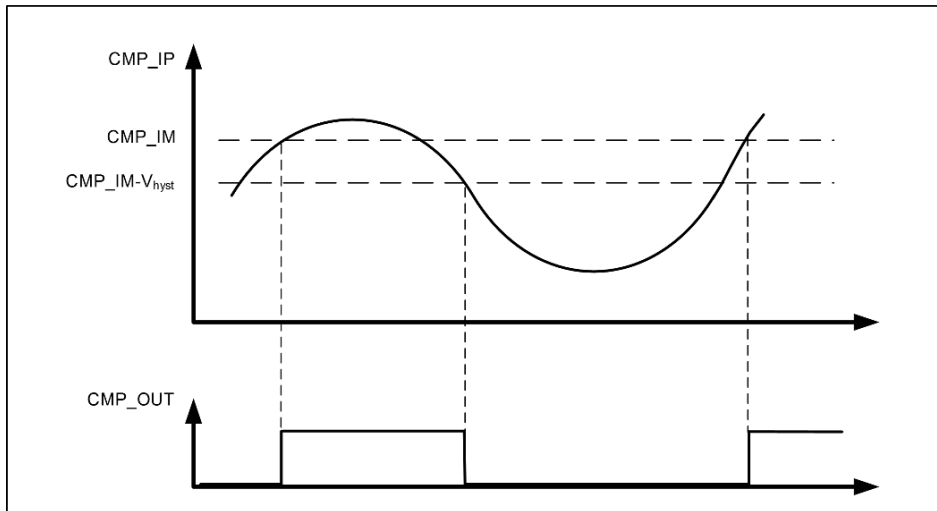
Table 4-32. CMP characteristics⁽¹⁾

| Symbol | Parameter | Conditions | Min | Typ | Max | Unit |
|------------------|---------------------------------------------------------|-----------------------|-----|------|------------------|------|
| V_{DDA} | Operating voltage | — | 1.8 | 3.3 | 3.6 | V |
| V_{IN} | Input voltage range | — | 0 | — | V_{DDA} | V |
| V_{BG} | Scaler input voltage | — | — | 1.2 | — | V |
| V_{SC} | Scaler offset voltage | — | — | — | — | mV |
| t_{D} | Propagation delay for 200 mV step with 100 mV overdrive | Ultra low power mode | — | 0.98 | — | μs |
| | | Low power mode | — | 0.25 | — | μs |
| | | Medium power mode | — | 0.12 | — | μs |
| | | High speed power mode | — | 33 | — | ns |
| | Propagation delay for full range step with 100 mV | Ultra low power mode | — | — | — | μs |
| | | Low power mode | — | — | — | μs |

| Symbol | Parameter | Conditions | Min | Typ | Max | Unit |
|---------------------|---------------------|-----------------------|-----|------|-----|------|
| | overdrive | Medium power mode | — | — | — | μs |
| | | High speed power mode | — | — | — | ns |
| I _{DD} | Current consumption | Ultra low power mode | — | 2.2 | — | μA |
| | | Low power mode | — | 3.2 | — | |
| | | Medium power mode | — | 8.1 | — | |
| | | High speed power mode | — | 46.9 | — | |
| V _{offset} | Offset error | — | — | ±4 | — | mV |
| V _{hyst} | Hysteresis Voltage | No Hysteresis | — | 0 | — | mV |
| | | Low Hysteresis | — | 11 | — | |
| | | Medium Hysteresis | — | 22 | — | |
| | | High Hysteresis | — | 43 | — | |

(1) Based on characterization, not tested in production.

Figure 4-6. CMP hysteresis



4.16 TIMER characteristics

Table 4-33. TIMER characteristics⁽¹⁾

| Symbol | Parameter | Conditions | Min | Max | Unit |
|------------------------|-------------------------------------------------------------|---------------------------------|--------|---------------------------|------------------------|
| t _{res} | Timer resolution time | — | 1 | — | t _{TIMERxCLK} |
| | | f _{TIMERxCLK} = 72 MHz | 13.9 | — | ns |
| f _{EXT} | Timer external clock frequency | — | 0 | f _{TIMERxCLK} /2 | MHz |
| | | f _{TIMERxCLK} = 72 MHz | 0 | 36 | MHz |
| RES | Timer resolution | — | — | 16 | bit |
| t _{COUNTER} | 16-bit counter clock period when internal clock is selected | — | 1 | 65536 | t _{TIMERxCLK} |
| | | f _{TIMERxCLK} = 72 MHz | 0.0139 | 910 | μs |
| t _{MAX_COUNT} | Maximum possible count | — | — | 65536 × 65536 | t _{TIMERxCLK} |
| | | f _{TIMERxCLK} = 72 MHz | — | 59.6 | s |

(1) Guaranteed by design, not tested in production.

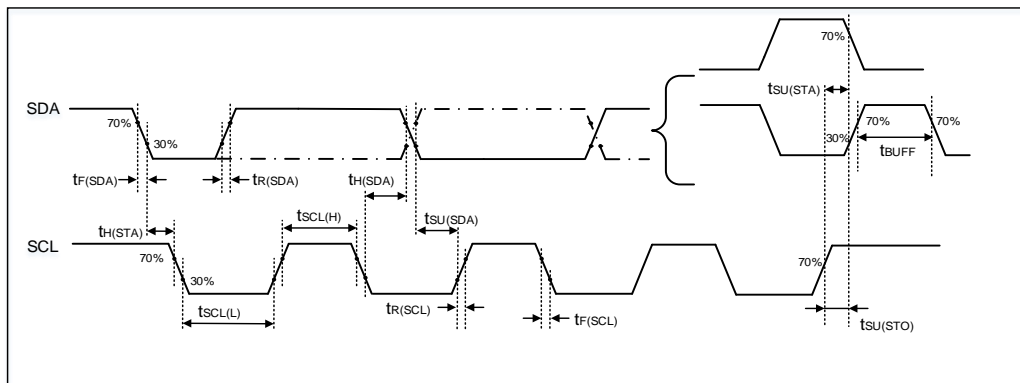
4.17 I2C characteristics

Table 4-34. I2C characteristics⁽¹⁾⁽²⁾

| Symbol | Parameter | Condi tions | Standard mode | | Fast mode | | Fast mode plus | | Unit |
|------------------|-----------------------------------------------|----------------|------------------|------|-----------|-----|-------------------|-----|---------|
| | | | Min | Max | Min | Max | Min | Max | |
| $t_{SCL(H)}$ | SCL clock high time | — | 4.0 | — | 0.6 | — | 0.2 | — | μs |
| $t_{SCL(L)}$ | SCL clock low time | — | 4.7 | — | 1.3 | — | 0.5 | — | μs |
| $t_{SU(SDA)}$ | SDA setup time | — | 250 | — | 100 | — | 50 | — | ns |
| $t_{H(SDA)}$ | SDA data hold time | — | 0 ⁽³⁾ | 3450 | 0 | 900 | 0 | 450 | ns |
| $t_{R(SDA/SCL)}$ | SDA and SCL rise time | — | — | 1000 | — | 300 | — | 120 | ns |
| $t_{F(SDA/SCL)}$ | SDA and SCL fall time | — | — | 300 | — | 300 | — | 120 | ns |
| $t_{H(STA)}$ | Start condition hold time | — | 4.0 | — | 0.6 | — | 0.26 | — | μs |
| $t_{SU(STA)}$ | Repeated Start condition setup time | — | 4.7 | — | 0.6 | — | 0.26 | — | μs |
| $t_{SU(STO)}$ | Stop condition setup time | — | 4.0 | — | 0.6 | — | 0.26 | — | μs |
| t_{BUFF} | Stop to Start condition time (bus free) | — | 4.7 | — | 1.3 | — | 0.5 | — | μs |

- (1) Guaranteed by design, not tested in production.
- (2) To ensure the standard mode I2C frequency, f_{PCLK1} must be at least 2 MHz, To ensure the fast mode I2C frequency, f_{PCLK1} must be at least 4 MHz. To ensure the fast mode plus I2C frequency, f_{PCLK1} must be at least a multiple of 10 MHz.
- (3) The device should provide a data hold time of 300 ns at least in order to bridge the undefined region of the falling edge of SCL.

Figure 4-7. I2C bus timing diagram



4.18 SPI characteristics

Table 4-35. Standard SPI characteristics⁽¹⁾

| Symbol | Parameter | Conditions | Min | Typ | Max | Unit |
|------------------------|--------------------------|-------------------------------------------------|-----|-----|-----|------|
| f_{SCK} | SCK clock frequency | — | — | — | 18 | MHz |
| $t_{SCK(H)}$ | SCK clock high time | Master mode, $f_{PCLKx} = 72$ MHz, presc = 4 | 25 | 27 | 29 | ns |
| $t_{SCK(L)}$ | SCK clock low time | Master mode, $f_{PCLKx} = 72$ MHz, presc = 4 | 25 | 27 | 29 | ns |
| SPI master mode | | | | | | |
| $t_{V(MO)}$ | Data output valid time | — | — | — | 2 | ns |
| $t_{SU(MI)}$ | Data input setup time | — | 5 | — | — | ns |
| $t_{H(MI)}$ | Data input hold time | — | 5 | — | — | ns |
| SPI slave mode | | | | | | |
| $t_{SU(NSS)}$ | NSS enable setup time | — | 0 | — | — | ns |
| $t_{H(NSS)}$ | NSS enable hold time | — | 1 | — | — | ns |
| $t_{A(SO)}$ | Data output access time | — | — | 7 | — | ns |
| $t_{DIS(SO)}$ | Data output disable time | — | — | 8 | — | ns |
| $t_{V(SO)}$ | Data output valid time | — | — | 10 | — | ns |
| $t_{SU(SI)}$ | Data input setup time | — | — | 10 | — | ns |
| $t_{H(SI)}$ | Data input hold time | — | 0 | — | — | ns |

(1) Based on characterization, not tested in production.

Figure 4-8. SPI timing diagram - master mode

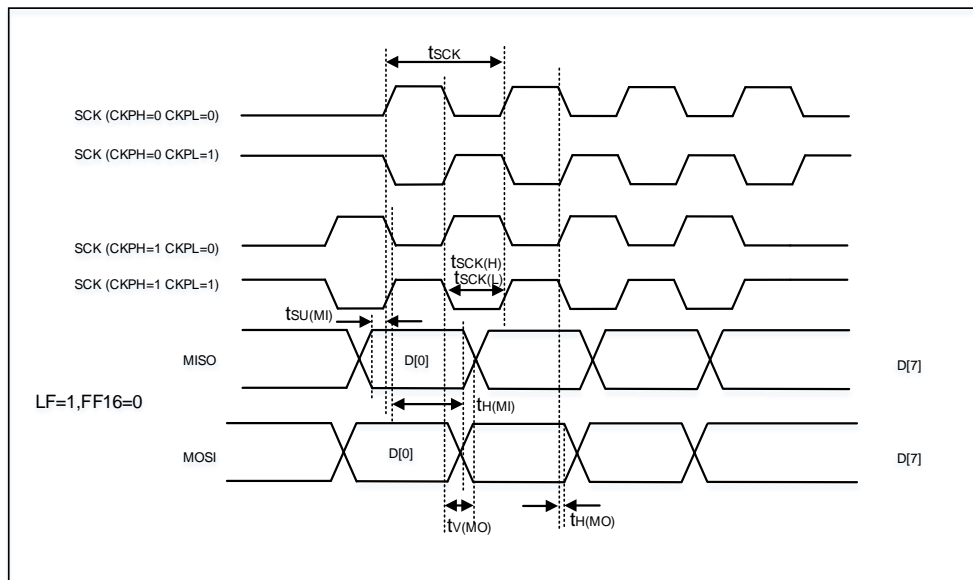
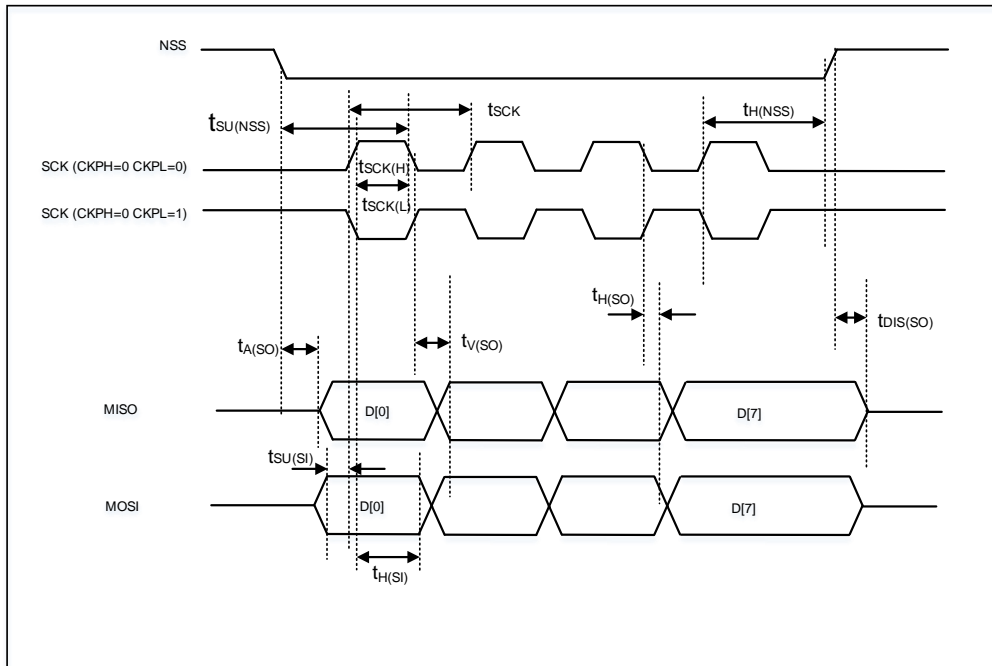


Figure 4-9. SPI timing diagram - slave mode



4.19 I2S characteristics

Table 4-36. I2S characteristics⁽¹⁾

| Symbol | Parameter | Conditions | Min | Typ | Max | Unit |
|------------------|----------------------------------|----------------------------------------------------------|-----|------|-----|------|
| f_{CK} | Clock frequency | Master mode (data: 16 bits, Audio frequency = 96 kHz) | — | 3.12 | — | MHz |
| | | Slave mode | — | 10 | — | |
| t_H | Clock high time | — | — | 160 | — | ns |
| t_L | Clock low time | | — | 160 | — | ns |
| $t_{V(WS)}$ | WS valid time | Master mode | — | 3 | — | ns |
| $t_{H(WS)}$ | WS hold time | Master mode | — | 3 | — | ns |
| $t_{SU(WS)}$ | WS setup time | Slave mode | 0 | — | — | ns |
| $t_{H(WS)}$ | WS hold time | Slave mode | 3 | — | — | ns |
| $D_{ucy(sck)}$ | I2S slave input clock duty cycle | Slave mode | — | 50 | — | % |
| $t_{SU(SD_MR)}$ | Data input setup time | Master mode | 0 | — | — | ns |
| $t_{SU(SD_SR)}$ | Data input setup time | Slave mode | 0 | — | — | ns |
| $t_{H(SD_MR)}$ | Data input hold time | Master receiver | 2 | — | — | ns |
| $t_{H(SD_SR)}$ | | Slave receiver | 2 | — | — | ns |
| $t_{V(SD_ST)}$ | Data output valid time | Slave transmitter (after enable edge) | — | 12 | — | ns |
| $t_{H(SD_ST)}$ | Data output hold time | Slave transmitter (after enable edge) | — | 10 | — | ns |
| $t_{V(SD_MT)}$ | Data output valid time | Master transmitter (after enable edge) | — | 10 | — | ns |
| $t_{H(SD_MT)}$ | Data output hold time | Master transmitter (after enable edge) | — | 7 | — | ns |

(1) Based on characterization, not tested in production.

Figure 4-10. I2S timing diagram - master mode

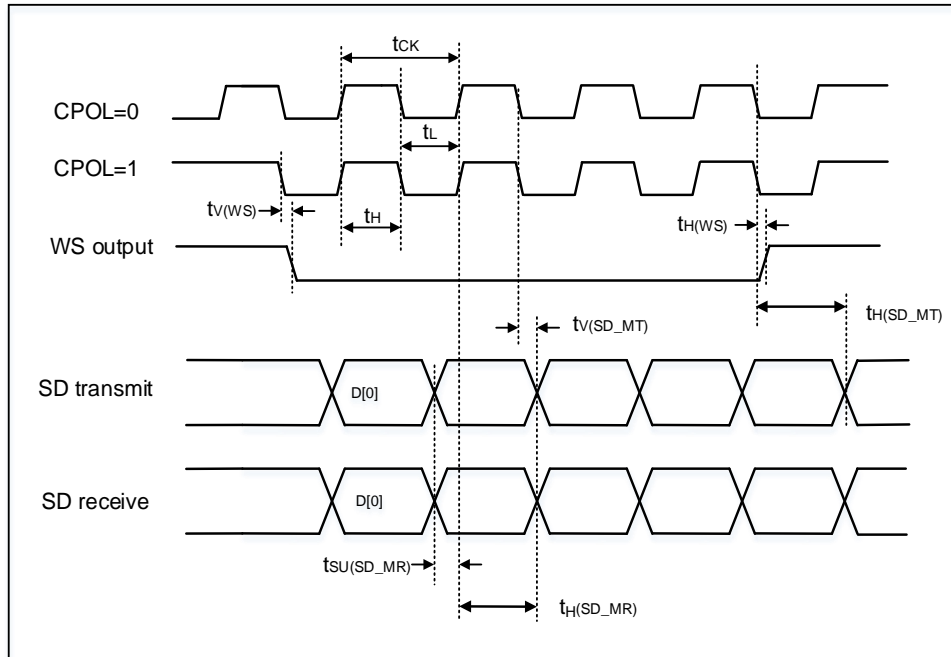
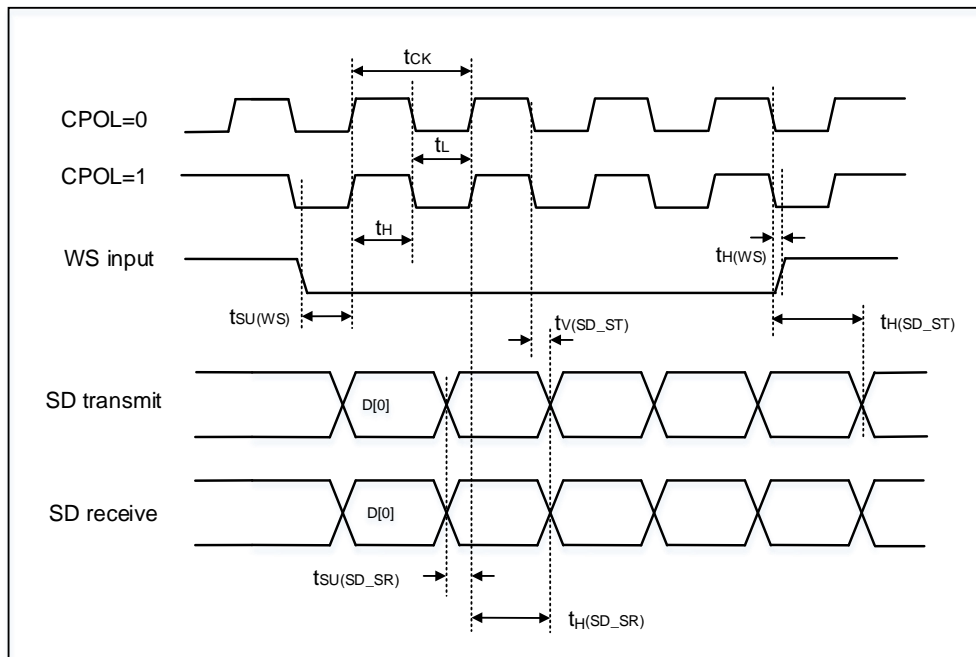


Figure 4-11. I2S timing diagram - slave mode



4.20 USART characteristics

Table 4-37. USART characteristics⁽¹⁾

| Symbol | Parameter | Conditions | Min | Typ | Max | Unit |
|--------------|---------------------|------------|------|-----|-----|------|
| f_{SCK} | SCK clock frequency | — | — | — | 36 | MHz |
| $t_{SCK(H)}$ | SCK clock high time | — | 13.5 | — | — | ns |
| $t_{SCK(L)}$ | SCK clock low time | — | 13.5 | — | — | ns |

(1) Guaranteed by design, not tested in production.

4.21 WDGT characteristics

Table 4-38. FWDGT min/max timeout period at 40 kHz (IRC40K)⁽¹⁾

| Prescaler divider | PR[2:0] bits | Min timeout RLD[11:0]= 0x000 | Max timeout RLD[11:0]= 0xFF | Unit |
|-------------------|--------------|---------------------------------|--------------------------------|------|
| 1/4 | 000 | 0.025 | 409.525 | ms |
| 1/8 | 001 | 0.025 | 819.025 | |
| 1/16 | 010 | 0.025 | 1638.025 | |
| 1/32 | 011 | 0.025 | 3276.025 | |
| 1/64 | 100 | 0.025 | 6552.025 | |
| 1/128 | 101 | 0.025 | 13104.025 | |
| 1/256 | 110 or 111 | 0.025 | 26208.025 | |

(1) Guaranteed by design, not tested in production.

Table 4-39. WWDGT min-max timeout value at 72 MHz (f_{PCLK1})⁽¹⁾

| Prescaler divider | PSC[1:0] | Min timeout value CNT[6:0] = 0x40 | Unit | Max timeout value CNT[6:0] = 0x7F | Unit |
|-------------------|----------|--------------------------------------|------|--------------------------------------|------|
| 1/1 | 00 | 56 | μs | 3.64 | ms |
| 1/2 | 01 | 113 | | 7.28 | |
| 1/4 | 10 | 227 | | 14.56 | |
| 1/8 | 11 | 455 | | 29.12 | |

(1) Guaranteed by design, not tested in production.

4.22 Parameter conditions

Unless otherwise specified, all values given for $V_{DD} = V_{DDA} = 3.3\text{ V}$, $T_A = 25\text{ °C}$.

5 Package information

5.1 LQFP48 package outline dimensions

Figure 5-1. LQFP48 package outline

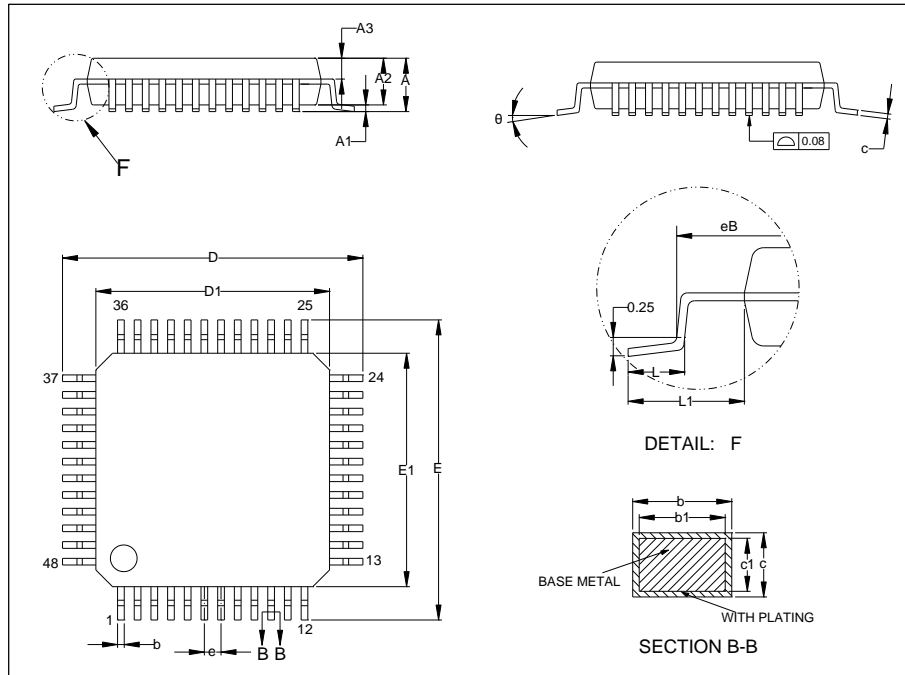
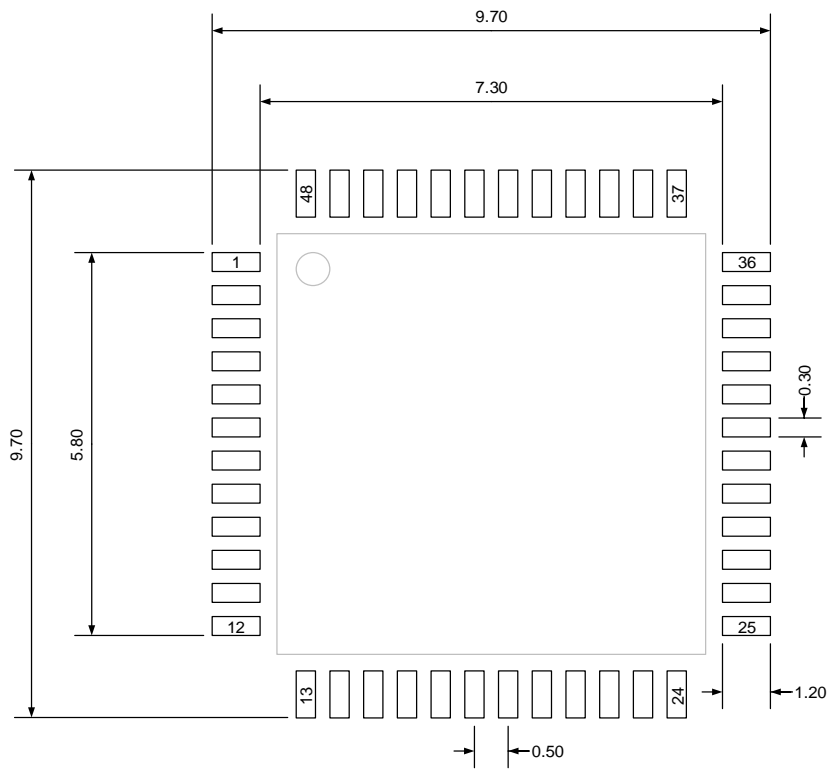


Table 5-1. LQFP48 package dimensions

| Symbol | Min | Typ | Max |
|----------|------|------|------|
| A | — | — | 1.60 |
| A1 | 0.05 | — | 0.15 |
| A2 | 1.35 | 1.40 | 1.45 |
| A3 | 0.59 | 0.64 | 0.69 |
| b | 0.18 | — | 0.26 |
| b1 | 0.17 | 0.20 | 0.23 |
| c | 0.13 | — | 0.17 |
| c1 | 0.12 | 0.13 | 0.14 |
| D | 8.80 | 9.00 | 9.20 |
| D1 | 6.90 | 7.00 | 7.10 |
| E | 8.80 | 9.00 | 9.20 |
| E1 | 6.90 | 7.00 | 7.10 |
| e | — | 0.50 | — |
| eB | 8.10 | — | 8.25 |
| L | 0.45 | — | 0.75 |
| L1 | — | 1.00 | — |
| θ | 0° | — | 7° |

(Original dimensions are in millimeters)

Figure 5-2. LQFP48 recommended footprint



(Original dimensions are in millimeters)

5.2 QFN48 package outline dimensions

Figure 5-3. QFN48 package outline

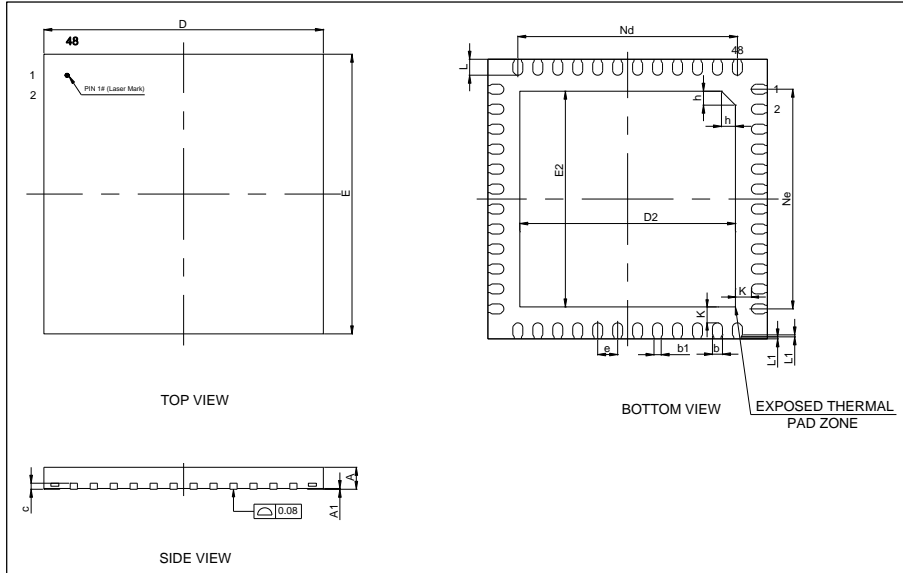
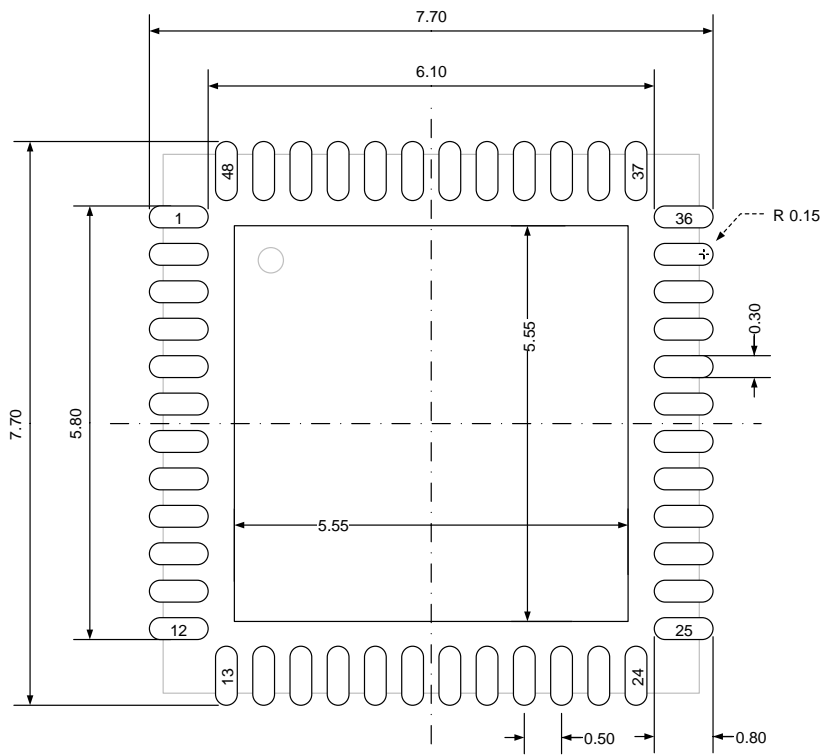


Table 5-2. QFN48 package dimensions

| Symbol | Min | Typ | Max |
|--------|------|-------|------|
| A | 0.50 | 0.55 | 0.60 |
| A1 | 0 | 0.02 | 0.05 |
| b | 0.20 | 0.25 | 0.30 |
| b1 | — | 0.18 | — |
| c | — | 0.152 | — |
| D | 6.90 | 7.00 | 7.10 |
| D2 | 5.50 | 5.60 | 5.70 |
| E | 6.90 | 7.00 | 7.10 |
| E2 | 5.50 | 5.60 | 5.70 |
| e | — | 0.50 | — |
| K | — | 0.30 | — |
| L | 0.35 | 0.40 | 0.45 |
| L1 | 0 | 0.05 | 0.10 |
| h | 0.30 | 0.35 | 0.40 |
| Nd | — | 5.50 | — |
| Ne | — | 5.50 | — |

(Original dimensions are in millimeters)

Figure 5-4. QFN48 recommended footprint



(Original dimensions are in millimeters)

5.3 LQFP32 package outline dimensions

Figure 5-5. LQFP32 package outline

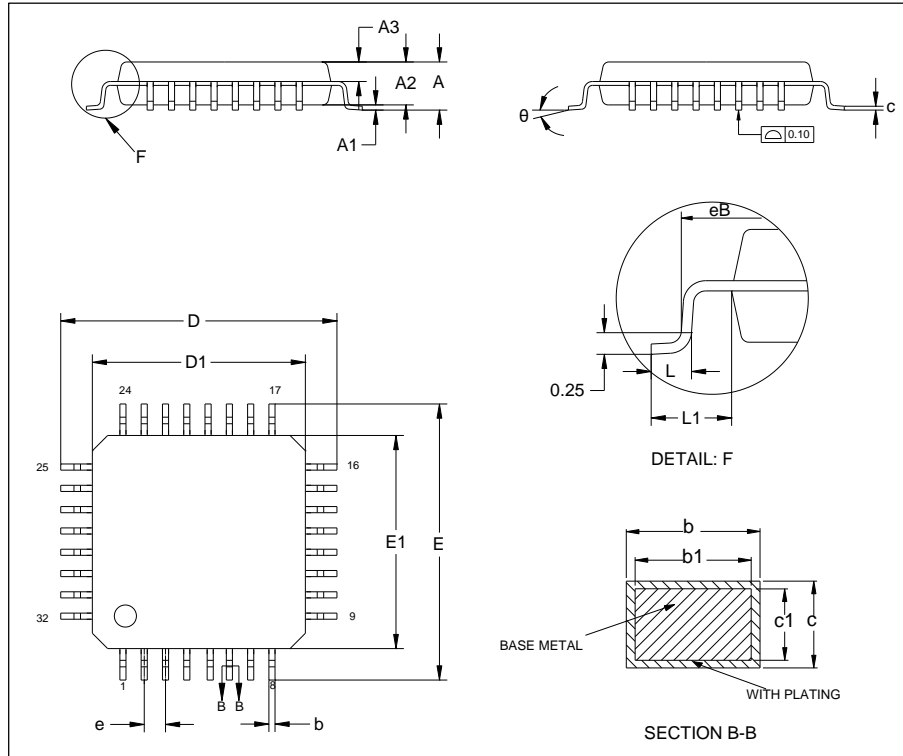
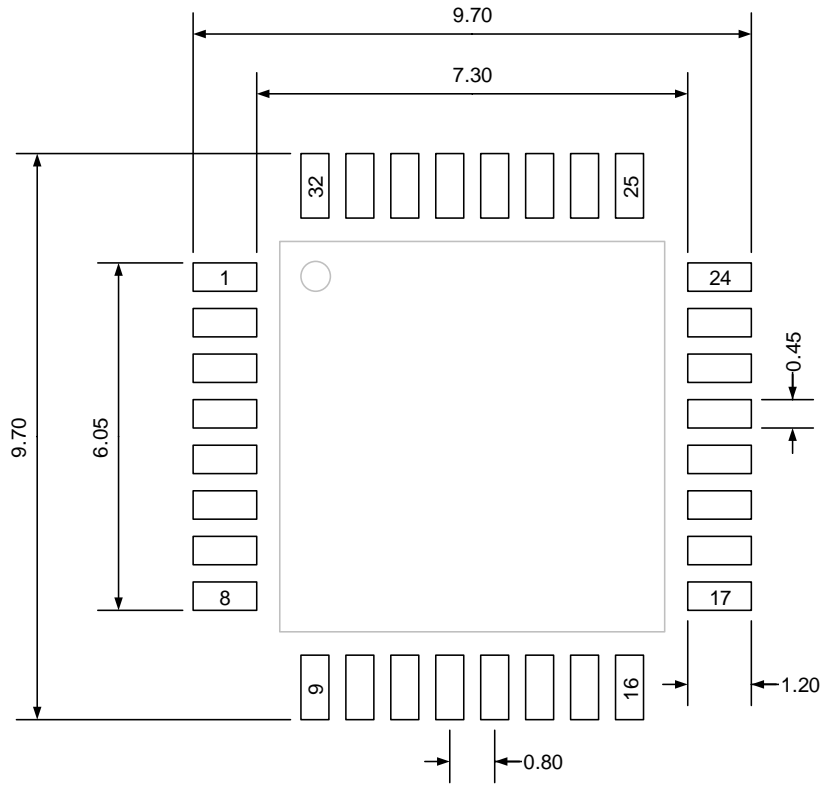


Table 5-3. LQFP32 package dimensions

| Symbol | Min | Typ | Max |
|--------|------|------|------|
| A | — | — | 1.60 |
| A1 | 0.05 | — | 0.15 |
| A2 | 1.35 | 1.40 | 1.45 |
| A3 | 0.59 | 0.64 | 0.69 |
| b | 0.33 | — | 0.41 |
| b1 | 0.32 | 0.35 | 0.38 |
| c | 0.13 | — | 0.17 |
| c1 | 0.12 | 0.13 | 0.14 |
| D | 8.80 | 9.00 | 9.20 |
| D1 | 6.90 | 7.00 | 7.10 |
| E | 8.80 | 9.00 | 9.20 |
| E1 | 6.90 | 7.00 | 7.10 |
| e | — | 0.80 | — |
| eB | 8.10 | — | 8.25 |
| L | 0.45 | — | 0.75 |
| L1 | — | 1.00 | — |
| θ | 0° | — | 7° |

(Original dimensions are in millimeters)

Figure 5-6. LQFP32 recommended footprint



(Original dimensions are in millimeters)

5.4 QFN32 package outline dimensions

Figure 5-7. QFN32 package outline

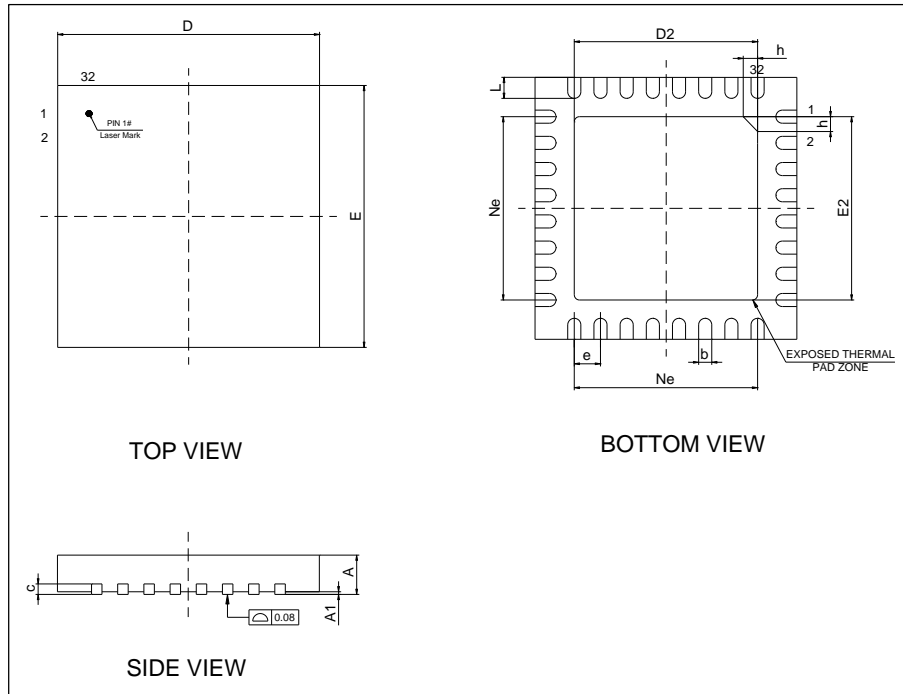


Table 5-4. QFN32 package dimensions

| Symbol | Min | Typ | Max |
|--------|------|------|------|
| A | 0.70 | 0.75 | 0.80 |
| A1 | 0 | 0.02 | 0.05 |
| b | 0.18 | 0.25 | 0.30 |
| c | 0.18 | 0.20 | 0.25 |
| D | 4.90 | 5.00 | 5.10 |
| D2 | 3.40 | 3.50 | 3.60 |
| E | 4.90 | 5.00 | 5.10 |
| E2 | 3.40 | 3.50 | 3.60 |
| e | — | 0.50 | — |
| h | 0.30 | 0.35 | 0.40 |
| L | 0.35 | 0.40 | 0.45 |
| Ne | — | 3.50 | — |

(Original dimensions are in millimeters)

5.5 QFN28 package outline dimensions

Figure 5-9. QFN28 package outline

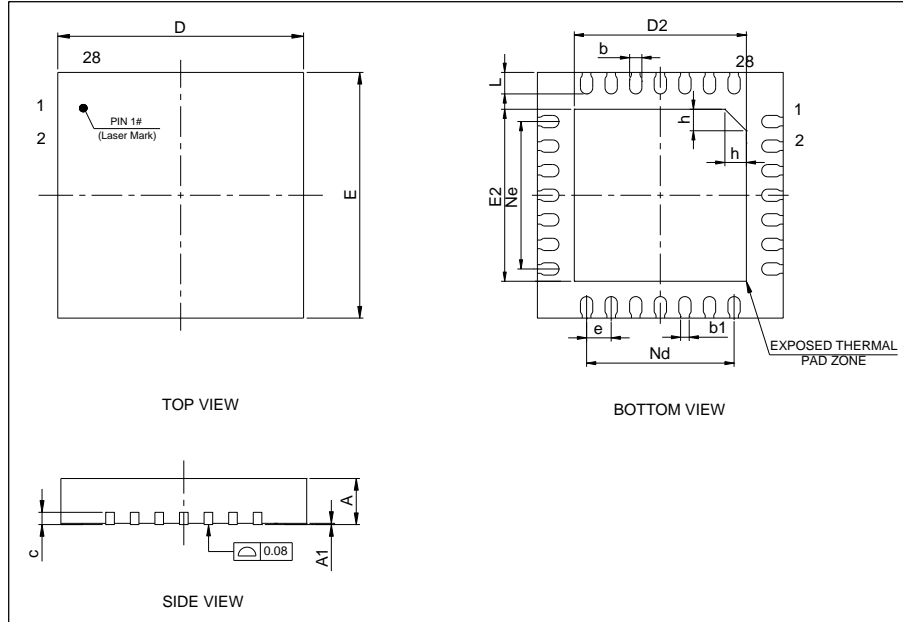
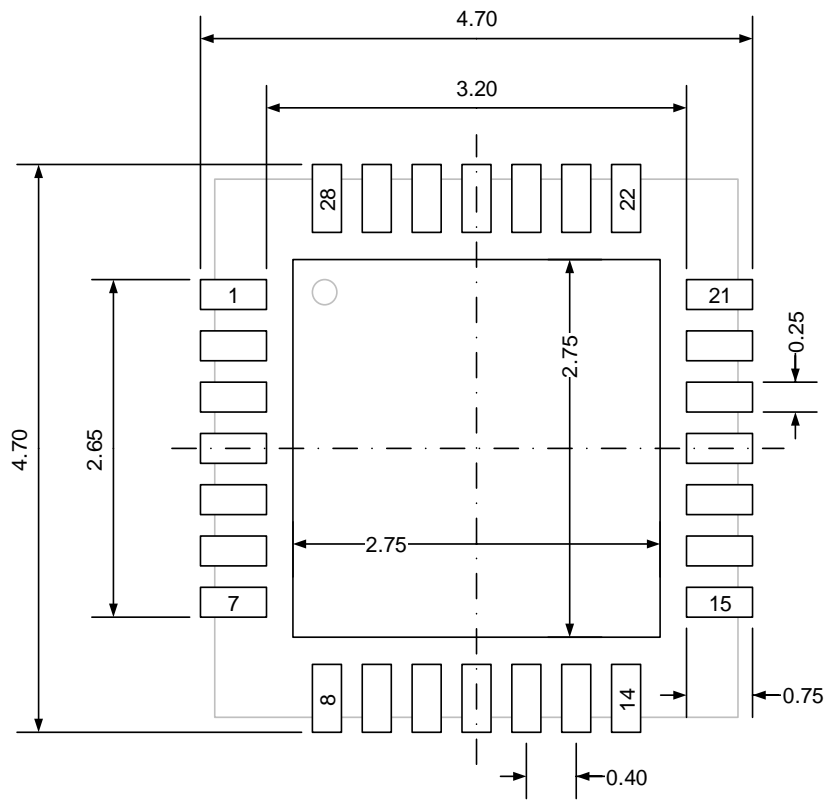


Table 5-5. QFN28 package dimensions

| Symbol | Min | Typ | Max |
|--------|------|------|------|
| A | 0.70 | 0.75 | 0.80 |
| A1 | 0 | 0.02 | 0.05 |
| b | 0.15 | 0.20 | 0.25 |
| b1 | — | 0.14 | — |
| c | 0.18 | 0.20 | 0.25 |
| D | 3.90 | 4.00 | 4.10 |
| D2 | 2.70 | 2.80 | 2.90 |
| E | 3.90 | 4.00 | 4.10 |
| E2 | 2.70 | 2.80 | 2.90 |
| e | — | 0.40 | — |
| h | 0.30 | 0.35 | 0.40 |
| L | 0.30 | 0.35 | 0.40 |
| Nd | — | 2.40 | — |
| Ne | — | 2.40 | — |

(Original dimensions are in millimeters)

Figure 5-10. QFN28 recommended footprint



(Original dimensions are in millimeters)

5.6 TSSOP24 package outline dimensions

Figure 5-11. TSSOP24 package outline

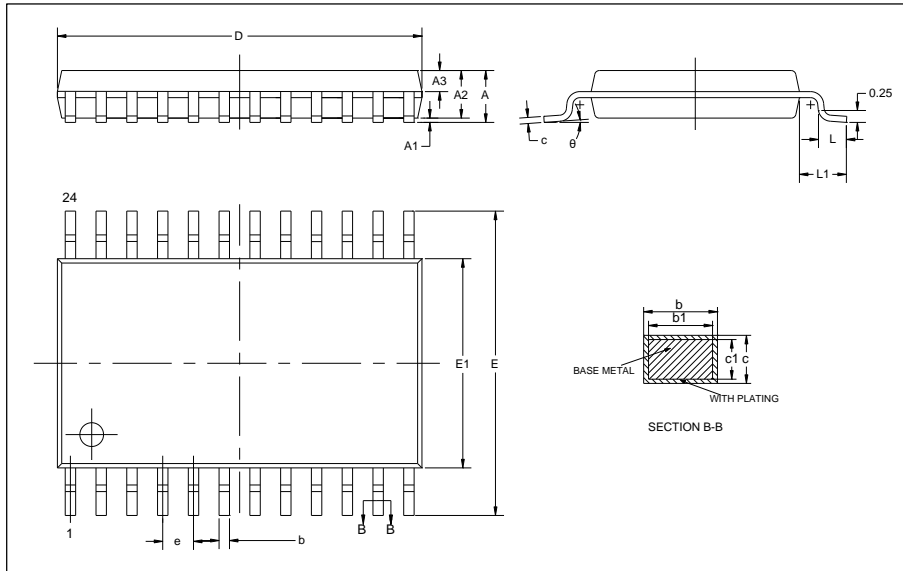
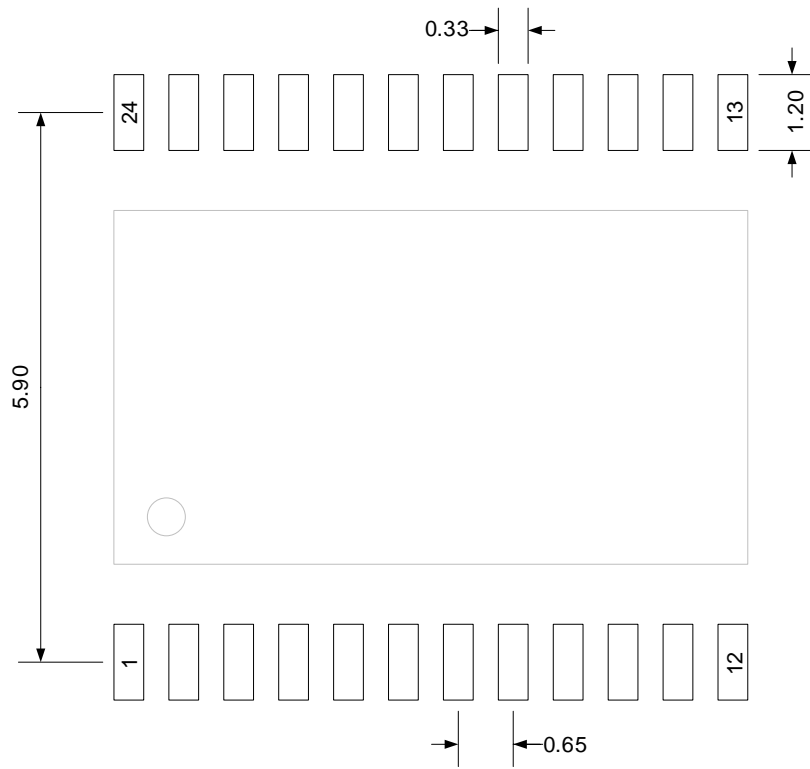


Table 5-6. TSSOP24 package dimensions

| Symbol | Min | Typ | Max |
|----------|------|------|------|
| A | — | — | 1.20 |
| A1 | 0.05 | — | 0.15 |
| A2 | 0.80 | 1.00 | 1.05 |
| A3 | 0.39 | 0.44 | 0.49 |
| b | 0.20 | — | 0.29 |
| b1 | 0.19 | 0.22 | 0.25 |
| c | 0.13 | — | 0.18 |
| c1 | 0.12 | 0.13 | 0.14 |
| D | 7.70 | 7.80 | 7.90 |
| E | 6.20 | 6.40 | 6.60 |
| E1 | 4.30 | 4.40 | 4.50 |
| e | — | 0.65 | — |
| L | 0.45 | 0.60 | 0.75 |
| L1 | — | 1.00 | — |
| θ | 0° | — | 8° |

(Original dimensions are in millimeters)

Figure 5-12. TSSOP24 recommended footprint



(Original dimensions are in millimeters)

5.7 TSSOP20 package outline dimensions

Figure 5-13. TSSOP20 package outline

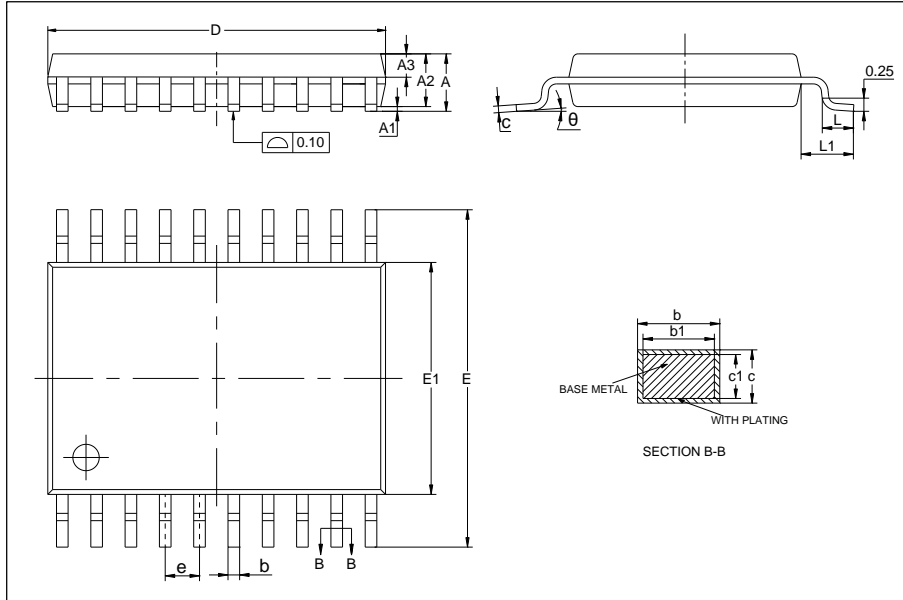
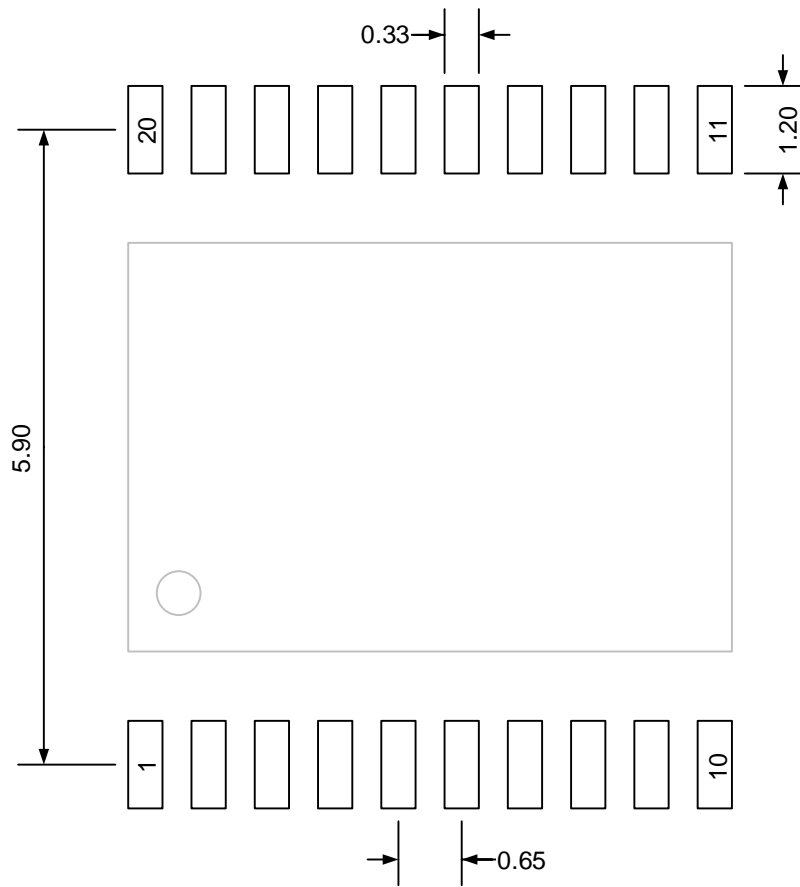


Table 5-7. TSSOP20 package dimensions

| Symbol | Min | Typ | Max |
|----------|------|------|------|
| A | — | — | 1.20 |
| A1 | 0.05 | — | 0.15 |
| A2 | 0.80 | 1.00 | 1.05 |
| A3 | 0.39 | 0.44 | 0.49 |
| b | 0.20 | — | 0.28 |
| b1 | 0.19 | 0.22 | 0.25 |
| c | 0.13 | — | 0.17 |
| c1 | 0.12 | 0.13 | 0.14 |
| D | 6.40 | 6.50 | 6.60 |
| E | 6.20 | 6.40 | 6.60 |
| E1 | 4.30 | 4.40 | 4.50 |
| e | — | 0.65 | — |
| L | 0.45 | 0.60 | 0.75 |
| L1 | — | 1.00 | — |
| θ | 0° | — | 8° |

(Original dimensions are in millimeters)

Figure 5-14. TSSOP20 recommended footprint



(Original dimensions are in millimeters)

5.8 LGA20 package outline dimensions

Figure 5-15. LGA20 package outline

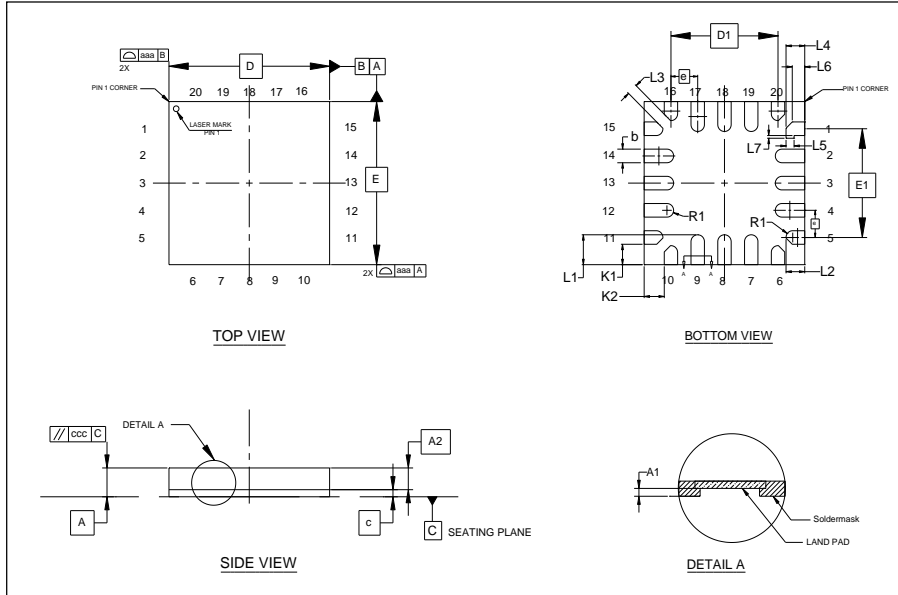
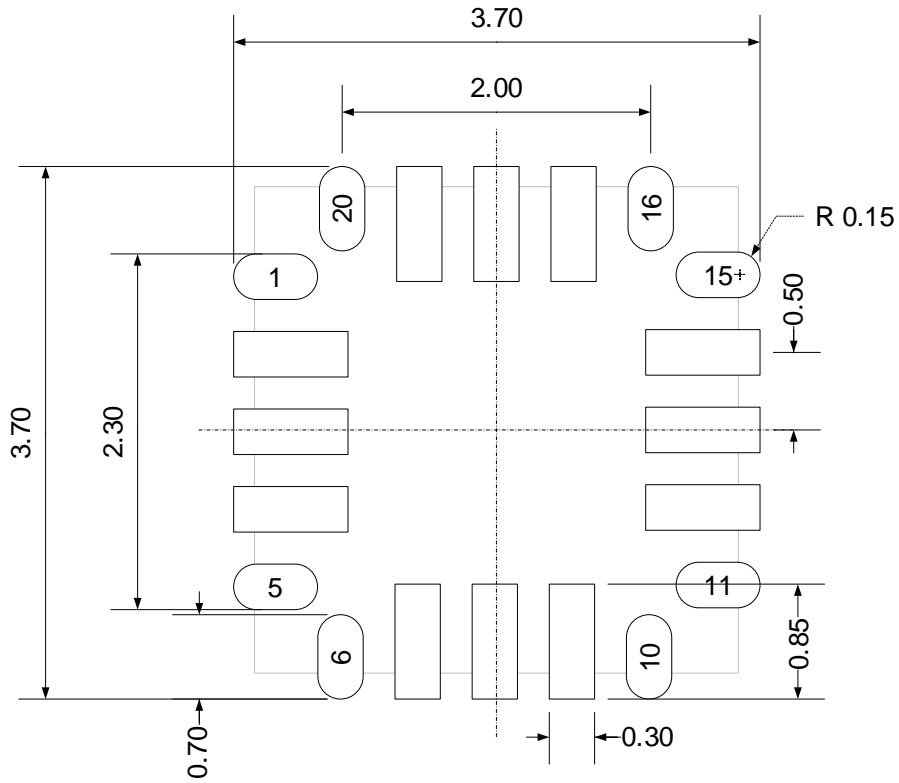


Table 5-8. LGA20 package dimensions

| Symbol | Min | Typ | Max |
|--------|------|-------|-------|
| A | 0.51 | 0.56 | 0.61 |
| A1 | — | 0.015 | 0.022 |
| A2 | 0.35 | 0.40 | 0.45 |
| b | 0.20 | 0.25 | 0.30 |
| c | 0.13 | 0.16 | 0.19 |
| D | 2.90 | 3.00 | 3.10 |
| D1 | 1.95 | 2.00 | 2.05 |
| E | 2.90 | 3.00 | 3.10 |
| E1 | 1.95 | 2.00 | 2.05 |
| e | — | 0.50 | — |
| K1 | — | 0.375 | — |
| K2 | — | 0.375 | — |
| L1 | 0.50 | 0.55 | 0.60 |
| L2 | 0.30 | 0.35 | 0.40 |
| L3 | — | 0.20 | — |
| L4 | 0.30 | 0.35 | 0.40 |
| L5 | — | 0.125 | — |
| L6 | — | 0.234 | — |
| L7 | — | 0.05 | — |
| R1 | — | 0.125 | — |
| aaa | — | 0.10 | — |
| ccc | — | 0.08 | — |

(Original dimensions are in millimeters)

Figure 5-16. LGA20 recommended footprint



(Original dimensions are in millimeters)

5.9 Thermal characteristics

Thermal resistance is used to characterize the thermal performance of the package device, which is represented by the Greek letter “ θ ”. For semiconductor devices, thermal resistance represents the steady-state temperature rise of the chip junction due to the heat dissipated on the chip surface.

θ_{JA} : Thermal resistance, junction-to-ambient.

θ_{JB} : Thermal resistance, junction-to-board.

θ_{JC} : Thermal resistance, junction-to-case.

Ψ_{JB} : Thermal characterization parameter, junction-to-board.

Ψ_{JT} : Thermal characterization parameter, junction-to-top center.

$$\theta_{JA}=(T_J-T_A)/P_D \tag{5-1}$$

$$\theta_{JB}=(T_J-T_B)/P_D \tag{5-2}$$

$$\theta_{JC}=(T_J-T_C)/P_D \tag{5-3}$$

Where, T_J = Junction temperature.

T_A = Ambient temperature

T_B = Board temperature

T_C = Case temperature which is monitoring on package surface

P_D = Total power dissipation

θ_{JA} represents the resistance of the heat flows from the heating junction to ambient air. It is an indicator of package heat dissipation capability. Lower θ_{JA} can be considerate as better overall thermal performance. θ_{JA} is generally used to estimate junction temperature.

θ_{JB} is used to measure the heat flow resistance between the chip surface and the PCB board.

θ_{JC} represents the thermal resistance between the chip surface and the package top case. θ_{JC} is mainly used to estimate the heat dissipation of the system (using heat sink or other heat dissipation methods outside the device package).

Table 5-9. Package thermal characteristics⁽¹⁾

| Symbol | Condition | Package | Value | Unit |
|---------------|------------------------------|---------|-------|------|
| θ_{JA} | Natural convection, 2S2P PCB | LQFP48 | 69.64 | °C/W |
| | | QFN48 | 38.32 | |
| | | LQFP32 | 55.26 | |
| | | QFN32 | 42.58 | |
| | | QFN28 | 47.32 | |
| | | TSSOP24 | 66.6 | |
| | | TSSOP20 | 67.24 | |

| Symbol | Condition | Package | Value | Unit |
|---------------|------------------------------|---------|-------|------|
| | | LGA20 | 96.08 | |
| θ_{JB} | Cold plate, 2S2P PCB | LQFP48 | 43.16 | °C/W |
| | | QFN48 | 17.23 | |
| | | LQFP32 | 26.24 | |
| | | QFN32 | 12.22 | |
| | | QFN28 | 12.97 | |
| | | TSSOP24 | 38.6 | |
| | | TSSOP20 | 37.72 | |
| | | LGA20 | 58.46 | |
| θ_{JC} | Cold plate, 2S2P PCB | LQFP48 | 25.36 | °C/W |
| | | QFN48 | 13.28 | |
| | | LQFP32 | 25.23 | |
| | | QFN32 | 16.76 | |
| | | QFN28 | 20.26 | |
| | | TSSOP24 | 26.0 | |
| | | TSSOP20 | 25.06 | |
| | | LGA20 | 31.54 | |
| Ψ_{JB} | Natural convection, 2S2P PCB | LQFP48 | 47.75 | °C/W |
| | | QFN48 | 17.48 | |
| | | LQFP32 | 32.03 | |
| | | QFN32 | 12.81 | |
| | | QFN28 | 13.07 | |
| | | TSSOP24 | 42.8 | |
| | | TSSOP20 | 49.07 | |
| | | LGA20 | 58.61 | |
| Ψ_{JT} | Natural convection, 2S2P PCB | LQFP48 | 2.45 | °C/W |
| | | QFN48 | 2.90 | |
| | | LQFP32 | 2.06 | |
| | | QFN32 | 0.69 | |
| | | QFN28 | 0.75 | |
| | | TSSOP24 | 2.3 | |
| | | TSSOP20 | 2.37 | |
| | | LGA20 | 1.83 | |

(1). Thermal characteristics are based on simulation, and meet JEDEC specification.

6 Ordering information

Table 6-1. Part ordering code for GD32E230xx devices

| Ordering code | Flash (KB) | Package | Package type | Temperature operating range |
|----------------|------------|---------|--------------|---------------------------------|
| GD32E230C8T6 | 64 | LQFP48 | Green | Industrial -40 °C to +85 °C |
| GD32E230C8T7 | 64 | LQFP48 | Green | Industrial -40 °C to +105 °C |
| GD32E230C6T6 | 32 | LQFP48 | Green | Industrial -40 °C to +85 °C |
| GD32E230C4T6 | 16 | LQFP48 | Green | Industrial -40 °C to +85 °C |
| GD32E230C8U6 | 64 | QFN48 | Green | Industrial -40 °C to +85 °C |
| GD32E230K8T6 | 64 | LQFP32 | Green | Industrial -40 °C to +85 °C |
| GD32E230K8T7 | 64 | LQFP32 | Green | Industrial -40 °C to +105 °C |
| GD32E230K6T6 | 32 | LQFP32 | Green | Industrial -40 °C to +85 °C |
| GD32E230K4T6 | 16 | LQFP32 | Green | Industrial -40 °C to +85 °C |
| GD32E230K8U6 | 64 | QFN32 | Green | Industrial -40 °C to +85 °C |
| GD32E230K8U7 | 64 | QFN32 | Green | Industrial -40 °C to +105 °C |
| GD32E230K6U6 | 32 | QFN32 | Green | Industrial -40 °C to +85 °C |
| GD32E230K4U6 | 16 | QFN32 | Green | Industrial -40 °C to +85 °C |
| GD32E230G8U6TR | 64 | QFN28 | Green | Industrial -40 °C to +85 °C |
| GD32E230G8U7TR | 64 | QFN28 | Green | Industrial -40 °C to +105 °C |
| GD32E230G6U6TR | 32 | QFN28 | Green | Industrial -40 °C to +85 °C |
| GD32E230G6U7TR | 32 | QFN28 | Green | Industrial -40 °C to +105 °C |
| GD32E230G4U6TR | 16 | QFN28 | Green | Industrial -40 °C to +85 °C |
| GD32E230E8P6TR | 64 | TSSOP24 | Green | Industrial -40 °C to +85 °C |
| GD32E230F8V6TR | 64 | LGA20 | Green | Industrial -40 °C to +85 °C |
| GD32E230F8V7TR | 64 | LGA20 | Green | Industrial -40 °C to +105 °C |
| GD32E230F6V6TR | 32 | LGA20 | Green | Industrial -40 °C to +85 °C |
| GD32E230F4V6TR | 16 | LGA20 | Green | Industrial -40 °C to +85 °C |
| GD32E230F8P6TR | 64 | TSSOP20 | Green | Industrial -40 °C to +85 °C |

| Ordering code | Flash (KB) | Package | Package type | Temperature operating range |
|----------------|------------|---------|--------------|---------------------------------|
| GD32E230F8P7TR | 64 | TSSOP20 | Green | Industrial -40 °C to +105 °C |
| GD32E230F6P6TR | 32 | TSSOP20 | Green | Industrial -40 °C to +85 °C |
| GD32E230F6P7TR | 32 | TSSOP20 | Green | Industrial -40 °C to +105 °C |
| GD32E230F4P6TR | 16 | TSSOP20 | Green | Industrial -40 °C to +85 °C |
| GD32E230F4P7TR | 16 | TSSOP20 | Green | Industrial -40 °C to +105 °C |

7 Revision history

Table 7-1. Revision history

| Revision No. | Description | Date |
|--------------|-------------------------------------------------------------------------------------------------------------------------------------------------------------------------------------------------------------------------------------------------------------------------------------------------------------------------------------------------------------------------------------------------------------------------------------------------------------------------------------------------------------------------------------------------------------------------------------------------------------------------------------------------------------------------------------------------------------------------------------------------------------------------------------------------------------------------------------------|--------------|
| 1.0 | Initial Release | Oct.10, 2018 |
| 1.1 | Add information about the QFN20 package | Dec.7, 2018 |
| 1.2 | Delete QFN20 package, add information about the LGA20 package and electrical characteristics with few changes. | Dec.28, 2018 |
| 1.3 | <ol style="list-style-type: none"> 1. Modify PA13 and PA14 pin definitions in chapter2.6. 2. Modify PA9 and PB2 alternate functions in chapter2.6.2. 3. Add USART1(PA2 and PA3) to reprogram the flash memory in chapter3.4. 4. Modify description of debug mode. 5. Modify block diagram. 6. Modify the value of POR and PDR in chapter3.3. 7. Update electrical characteristics, package information, ordering information and logo. | Oct.8, 2019 |
| 1.4 | <ol style="list-style-type: none"> 1. Modify GD32E230K6T6 SRAM capacity form 4K to 6K. 2. Add thermal characteristics. 3. Update electrical characteristics. | Jun.29, 2020 |
| 1.5 | <ol style="list-style-type: none"> 1. Update the data in <u>Table 4-26. ADC characteristics, Table 4-27. ADC RAIN max for fADC = 28 MHz(1), Table 4-36. USART characteristics(1), Table 4-37. FWDGT min/max timeout period at 40 kHz (IRC40K)(1).</u> 2. Update <u>Figure 4-8. SPI timing diagram - master mode, Figure 4-9. SPI timing diagram - slave mode, Figure 4-10. I2S timing diagram - master mode, Figure 4-11. I2S timing diagram - slave mode.</u> 3. Update the test standards of V_{ESD (HBM)} and V_{ESD (CDM)} parameter in <u>Table 4-12. ESD characteristics(1).</u> 4. Update the Ne parameter in <u>Table 5-3. QFN32 package dimensions.</u> 5. Adds e parameter in <u>Table 5-6. LGA20 package dimensions.</u> | Dec.15, 2021 |
| 1.6 | <ol style="list-style-type: none"> 1. Modify USART pin function description from USARTx_RTS to USARTx_RTS/USARTx_DE in <u>Pin definitions.</u> 2. Fixed the description of Flash memory and SRAM waiting state in <u>Embedded memory.</u> 3. Delete the description about V_{REF+} and V_{REF-} pins in <u>Figure 4-1. Recommended power supply decoupling capacitors(1).</u> | Jul.1, 2022 |

| Revision No. | Description | Date |
|--------------|------------------------------------------------------------------------------------------------------------------------------------------------------------------------------------------------------------------------------------------------------------------------------------------------------------------|---------------|
| | 4. Add EMI parameters in <u>Table 4-10. EMI characteristics(1).</u> 5. Modify I2C parameters $t_{su(SDA)} \setminus t_{h(SDA)} \setminus t_{r(SDA/SCL)}$ in <u>Table 4-33. I2C characteristics(1)(2)(3).</u> 6. Add note of <u>Figure 4-4. Recommended external NRST pin circuit.</u> | |
| 1.7 | Add GD32E230xxT7 related descriptions. | Aug. 23, 2022 |
| 1.8 | Add GD32E230Fxp7 related descriptions. | Dec. 5, 2022 |
| 1.9 | 1. Unify the pin names of the full text. 2. Update <u>Figure 4-7. I2C bus timing diagram.</u> | Dec. 19, 2022 |
| 2.0 | Update <u>ordering information</u> | Mar. 7, 2023 |
| 2.1 | Update <u>ordering information</u> , add GD32E230G8U7TR | Mar. 29, 2023 |
| 2.2 | Update <u>ordering information</u> , add GD32E230G6U7TR and GD32E230K8U7 | Apr. 24, 2023 |
| 2.3 | 1. Add table head, refer to chapter <u>Pin definitions.</u> 2. Add note, refer to <u>Figure 6 1. Recommended power supply decoupling capacitors⁽¹⁾⁽²⁾</u> | Jun. 20, 2023 |
| 2.4 | 1. Add GD32E230C8U6 package information 2. Add note, refer to <u>Table 4 24. I/O port DC characteristics⁽¹⁾⁽³⁾</u> | Nov. 25, 2023 |
| 2.5 | Update POD information, refer to <u>Package information</u> | Feb. 1, 2024 |
| 2.6 | Update <u>ordering information</u> , add GD32E230F8V7TR | Apr. 18, 2024 |
| 2.7 | 1. Update <u>ordering information</u> , add GD32E230K8T7 and GD32E230E8P6TR 2. Add V_{REFINT} calibration values, refer to <u>Table 4-28. Internal reference voltage calibration values⁽²⁾⁽³⁾</u> | Oct. 23, 2024 |
| 2.8 | Update numeral order of notes, refer to <u>GD32E230Fx TSSOP20 pin definitions</u> | Nov. 21, 2024 |

Important Notice

This document is the property of GigaDevice Semiconductor Inc. and its subsidiaries (the "Company"). This document, including any product of the Company described in this document (the "Product"), is owned by the Company under the intellectual property laws and treaties of the People's Republic of China and other jurisdictions worldwide. The Company reserves all rights under such laws and treaties and does not grant any license under its patents, copyrights, trademarks, or other intellectual property rights. The names and brands of third party referred thereto (if any) are the property of their respective owner and referred to for identification purposes only.

The Company makes no warranty of any kind, express or implied, with regard to this document or any Product, including, but not limited to, the implied warranties of merchantability and fitness for a particular purpose. The Company does not assume any liability arising out of the application or use of any Product described in this document. Any information provided in this document is provided only for reference purposes. It is the responsibility of the user of this document to properly design, program, and test the functionality and safety of any application made of this information and any resulting product. Except for customized products which has been expressly identified in the applicable agreement, the Products are designed, developed, and/or manufactured for ordinary business, industrial, personal, and/or household applications only. The Products are not designed, intended, or authorized for use as components in systems designed or intended for the operation of weapons, weapons systems, nuclear installations, atomic energy control instruments, combustion control instruments, airplane or spaceship instruments, transportation instruments, traffic signal instruments, life-support devices or systems, other medical devices or systems (including resuscitation equipment and surgical implants), pollution control or hazardous substances management, or other uses where the failure of the device or Product could cause personal injury, death, property or environmental damage ("Unintended Uses"). Customers shall take any and all actions to ensure using and selling the Products in accordance with the applicable laws and regulations. The Company is not liable, in whole or in part, and customers shall and hereby do release the Company as well as its suppliers and/or distributors from any claim, damage, or other liability arising from or related to all Unintended Uses of the Products. Customers shall indemnify and hold the Company as well as its suppliers and/or distributors harmless from and against all claims, costs, damages, and other liabilities, including claims for personal injury or death, arising from or related to any Unintended Uses of the Products.

Information in this document is provided solely in connection with the Products. The Company reserves the right to make changes, corrections, modifications or improvements to this document and Products and services described herein at any time, without notice.